

PARTS LIST

[MX-J170V]

* All printed circuit boards and its assemblies are not available as service parts.

CA-MXJ170V/SP-MXJ170V

Area suffix

US ----- Singapore
U ----- Other Areas

- Contents -

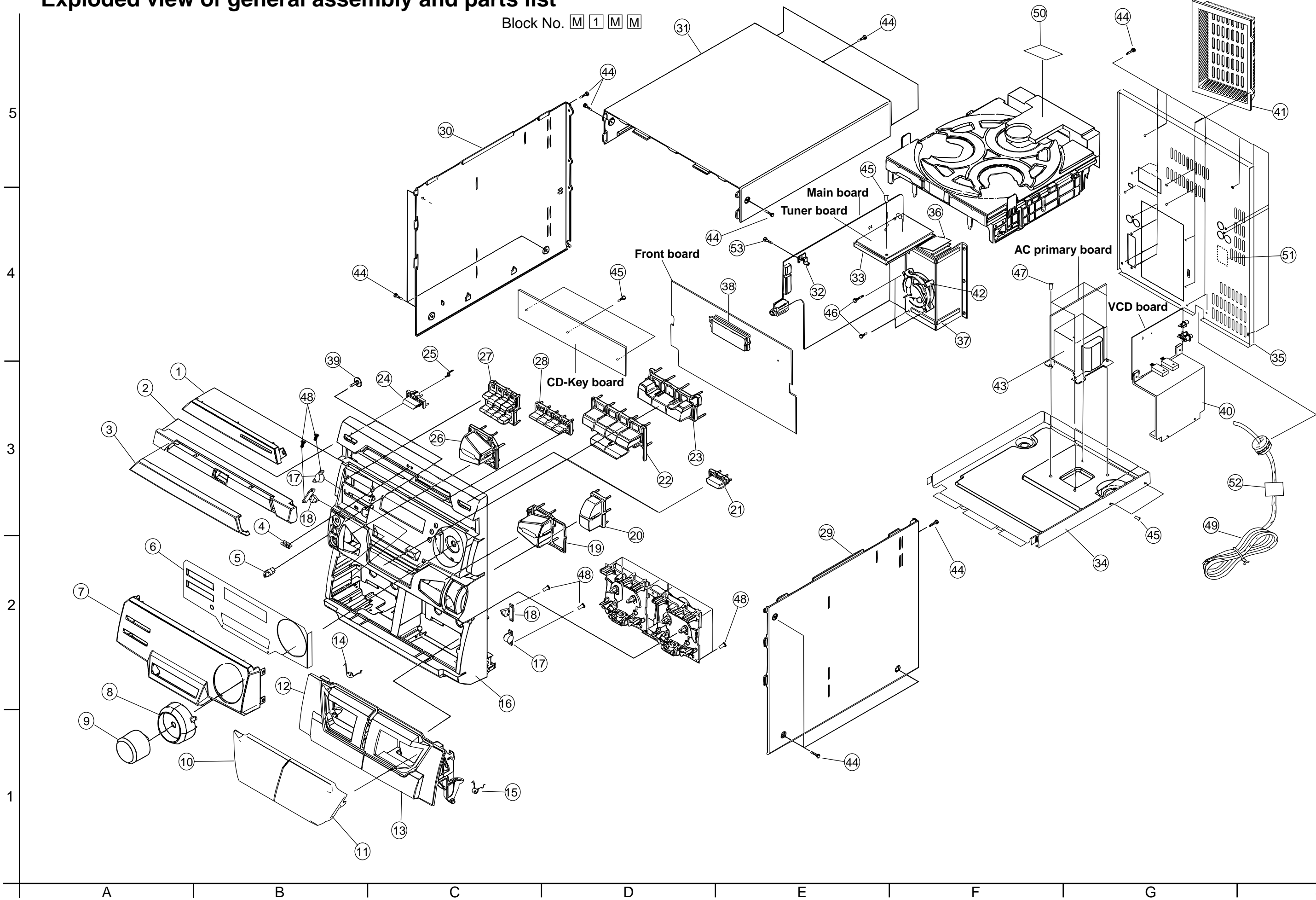
| | |
|--|------|
| Exploded view of general assembly and parts list | 3- 3 |
| CD mechanism assembly and parts list | 3- 4 |
| CD changer mechanism assembly and parts list | 3- 5 |
| Cassette mechanism assembly and parts list | 3- 7 |
| Electrical parts list | 3- 8 |
| Packing materials and accessories parts list | 3-21 |

-MEMO-

Exploded view of general assembly and parts list

Block No.

| | | | |
|---|---|---|---|
| M | 1 | M | M |
|---|---|---|---|



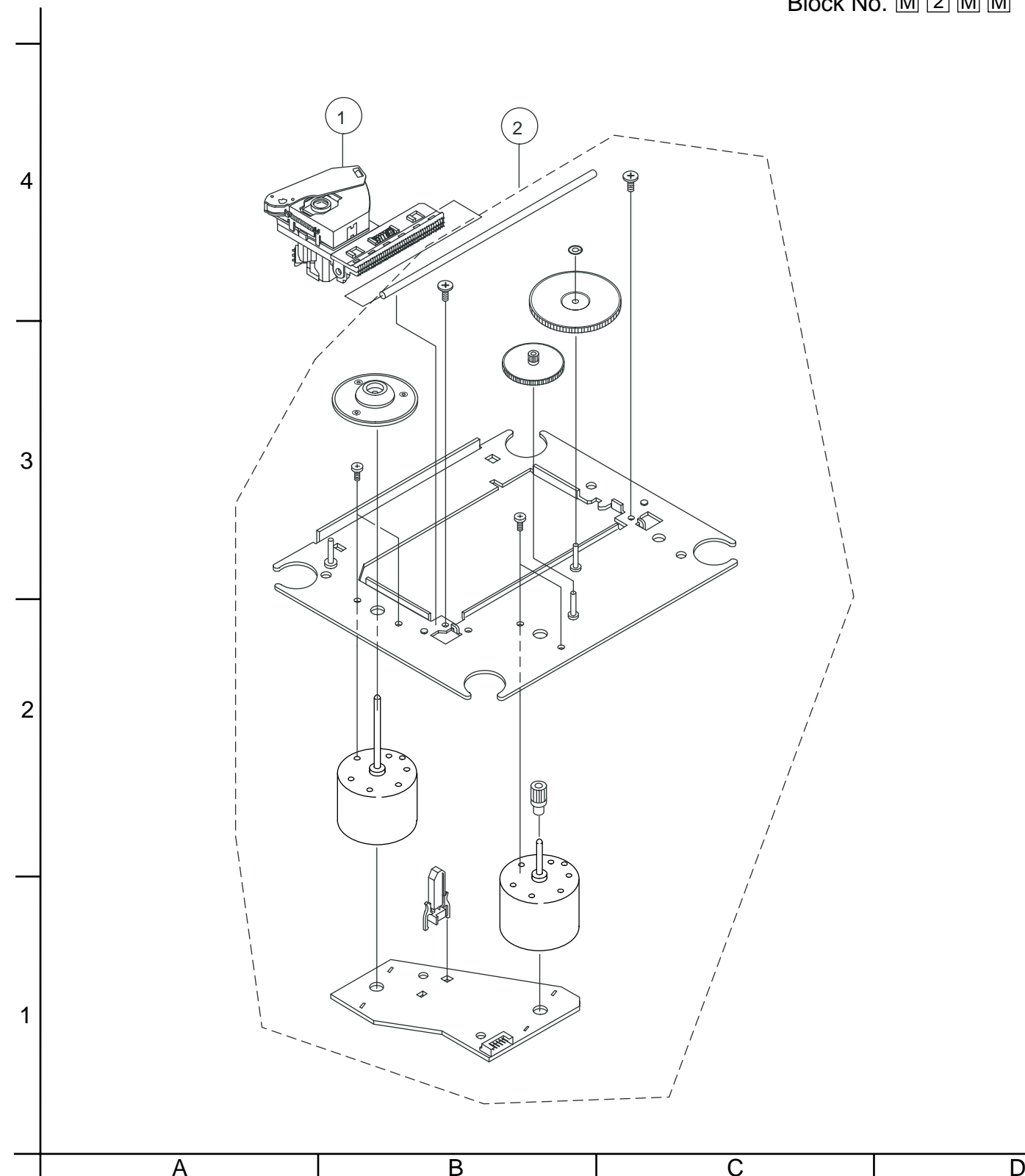
■ Parts list(General assembly)

Block No. M1MM

| Item | Parts number | Parts name | Q'ty | Description | Area |
|------|--------------|------------------|------|-----------------|------|
| 1 | AH64-00426C | WINDOW | 1 | CD | |
| 2 | AH64-00414C | CD DOOR | 1 | | |
| 3 | AH64-00429C | WINDOW-DOOR CD | 1 | DOOR,CD | |
| 4 | AH64-00462A | BADGE-JVC | 2 | JVC | |
| 5 | AH64-00417B | KNOB | 1 | MIC | |
| 6 | AH63-00107A | SHEET-FRONT | 1 | | |
| 7 | AH64-00430D | WINDOW | 1 | VFD | |
| 8 | AH61-00271B | CAP-VOLUME | 1 | | |
| 9 | AH64-00422B | KNOB-VOLUME | 1 | VOLUME | |
| 10 | AH64-00427B | WINDOW-DOOR A | 1 | DOOR A | |
| 11 | AH64-00428B | WINDOW-DOOR B | 1 | DOOR B | |
| 12 | AH64-00412B | DOOR-CASSETTE A | 1 | CASS,A | |
| 13 | AH64-00413B | DOOR-CASSETTE B | 1 | CASS,B | |
| 14 | AH61-62004A | SPRING-EJECT A | 1 | | |
| 15 | AH61-62005A | SPRING-EJECT B | 1 | | |
| 16 | AH64-00364D | CABINET-FRONT | 1 | | |
| 17 | AH61-80030A | DAMPER-ASSY | 2 | | |
| 18 | AH95-50001A | ASSY-LATCH | 2 | | |
| 19 | AH64-00421B | KNOB-RECORD | 1 | REC | |
| 20 | AH64-00423B | KNOB-DUBBING | 1 | DUBBING | |
| 21 | AH64-00420B | KNOB-CD OPEN | 1 | CD OPEN | |
| 22 | AH64-00415C | KNOB | 1 | FUNCTION | |
| 23 | AH64-00418C | KNOB | 1 | PRESET | |
| 24 | AH64-00425C | KNOB-DUBBING | 1 | POWER | |
| 25 | AH67-00035A | LENS-POWER | 1 | LENS-POWER | |
| 26 | AH64-00440D | KNOB | 1 | PROGRAM | |
| 27 | AH64-00419A | KNOB-KARAOKE | 1 | KARAOKE | |
| 28 | AH64-00416A | KNOB-DISC CHANGE | 1 | DISC CHANGE | |
| 29 | AH64-00432A | CABINET-SIDE R | 1 | SIDE-R | |
| 30 | AH64-00431A | CABINET-SIDE L | 1 | SIDE-L | |
| 31 | AH64-30443D | CABINET | 1 | TOP | |
| 32 | AH61-00021B | SUPPORT-PCB | 1 | | |
| 33 | AH61-20540B | HOLDER | 1 | TUNER | |
| 34 | AH64-30416C | CABINET-BOTTOM | 1 | BOTTOM | |
| 35 | AH64-00366B | CABINET | 1 | REAR | |
| 36 | AH62-00023C | HEAT-SINK-MAIN | 1 | | |
| 37 | AN61-00250B | BRAKET-H/SINK | 1 | | |
| 38 | AH61-00252A | HOLDER-VFD | 1 | | |
| 39 | AH61-00380A | SHAFT-H/PHONE | 1 | | |
| 40 | AH62-32002B | HEAT SINK | 1 | AL3.0T, | |
| 41 | AH61-00278A | CAP-REAR | 1 | | |
| 42 | AH31-10020A | FAN-DC | 1 | D0620B-12M,12VD | |
| 43 | AH26-00054B | POWER TRANS | 1 | 115/230V,50/60H | |
| 44 | 6003-000275 | SCREW-TAPTITE | 33 | 3X10 BLK | |
| 45 | 6003-000276 | SCREW-TAPPING | 15 | 3X10 | |
| 46 | AH60-10182A | SCREW-TAPPING | 2 | FAN DC | |
| 47 | AH60-00014A | SCREW-TAPTITE | 4 | TH,S-TITE,M4 | |
| 48 | 6003-000277 | SCREW | 11 | 3X12 | |
| 49 | AH39-10002L | POWER CODE | 1 | CP2,KLCE-2F,2.1 | |
| 50 | AH68-50275D | LASER-CAUTION | 1 | | |
| 51 | AH68-50482B | LABEL-CLASS1-5L | 1 | | |
| 52 | AH68-50282D | CAUTION LABEL | 1 | | |
| 53 | AH61-40014A | SUPPORT-RIVET | 1 | | |

CD mechanism assembly and parts list

Block No. M2MM



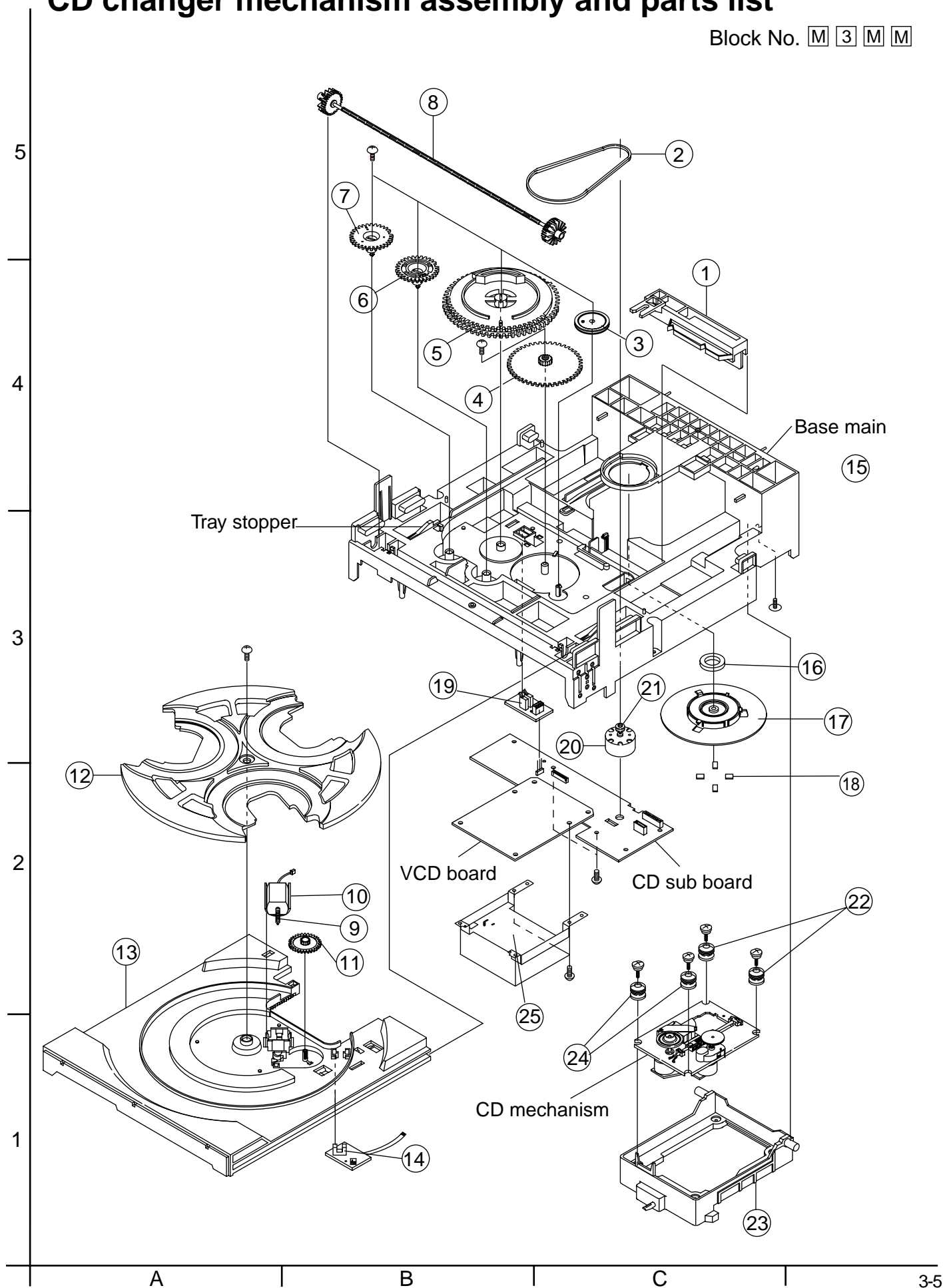
■ Parts list(CD mechanism)

Block No. M2MM

| Item | Parts number | Parts name | Q'ty | Description | Area |
|------|--------------|---------------|------|-----------------|------|
| 1 | AH30-00007A | PIC UP | 1 | SOH-AA,D51SG6(W | |
| 2 | AH91-60150A | CDP DECK ASSY | 1 | CMS-300D,- | |

CD changer mechanism assembly and parts list

Block No. M 3 M M

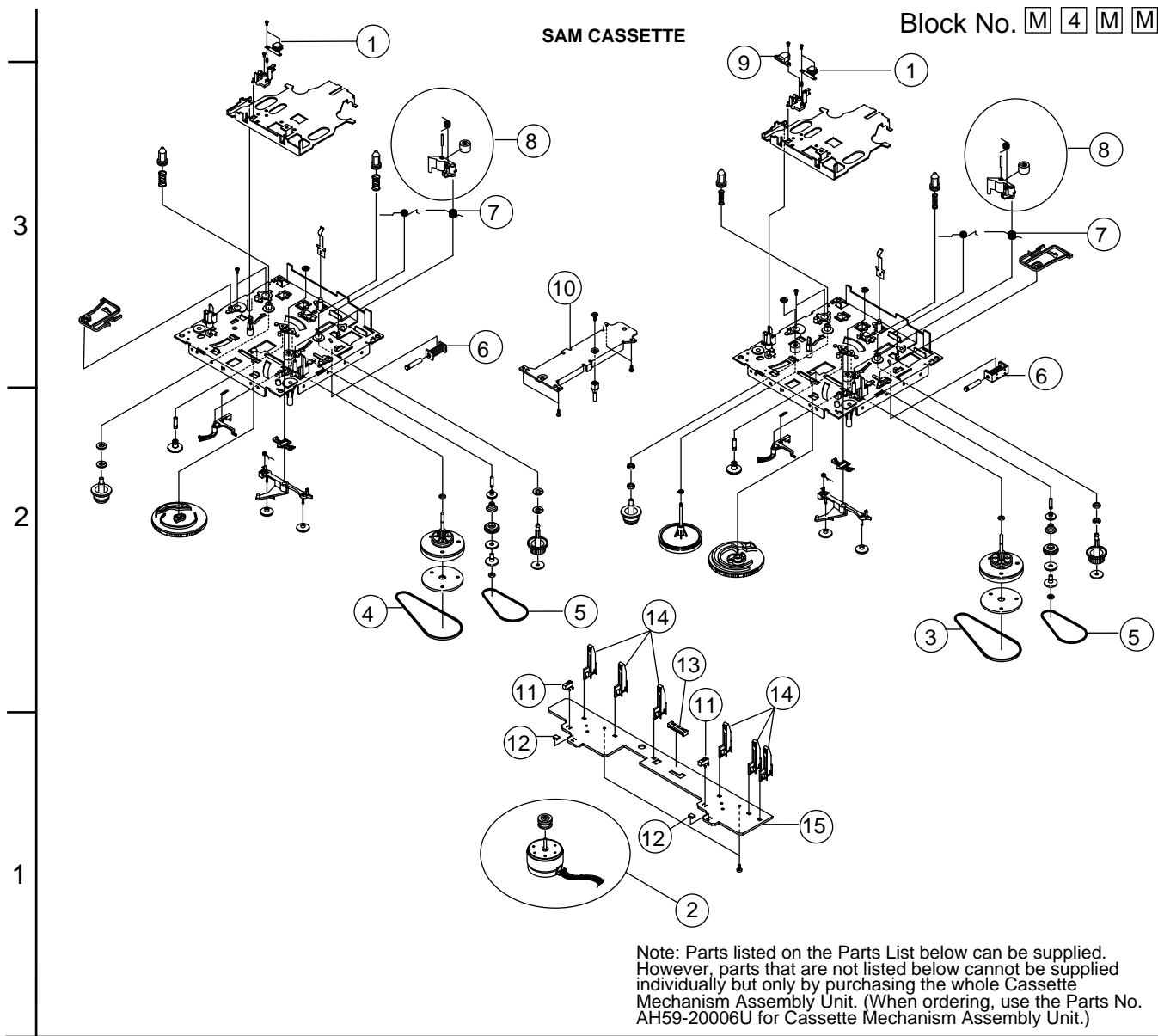


■ Parts list(CD changer mechanism)

Block No. M3MM

| △ | Item | Parts number | Parts name | Q'ty | Description | Area |
|---|------|---------------|----------------|------|-------------|------|
| | 1 | AH66-80022A | SLIDER-CAM | 1 | | |
| | 2 | AH66-60034A | BELY-LOAD | 1 | | |
| | 3 | AH66-20186A | GEAR | 1 | | |
| | 4 | AH66-20187A | GEAR-LOAD | 1 | | |
| | 5 | AH66-20188A | GEAR-CAM | 1 | | |
| | 6 | AH66-20189A | GEAR-TRAY | 1 | | |
| | 7 | AH66-20190A | GEAR-CONVERT | 1 | | |
| | 8 | AH66-20191A | GEAR-SYNCRO | 1 | | |
| | 9 | AH66-20192A | GEAR-WORM | 1 | | |
| | 10 | AH31-12001A | MOTOR-LOADING | 1 | | |
| | 11 | AH66-20193A | GEAR-ROULETTE | 1 | | |
| | 12 | AH66-90056A | TRAY-ROULBTTE | 1 | | |
| | 13 | AH66-90055A | TRAY-DISC | 1 | | |
| | 14 | AH32-10001E | SENSOR | 1 | | |
| | 15 | AH61-20428A-1 | BASE MAIN | 1 | | |
| | 16 | 3302-000159 | MAGNET FERRITE | 1 | | |
| | 17 | AH66-90057A | TABLE-CHUCK | 1 | | |
| | 18 | AH69-20342B | SHEET-CHUCK | 4 | | |
| | 19 | 3405-000101 | MICRO SWITCH | 1 | | |
| | 20 | AH31-10021A | DC MORTOR | 1 | 9VDC/130MA, | |
| | 21 | AH66-10008A | PULLEY-MOTOR | 1 | CMS-CR3 | |
| | 22 | AH73-10031A | RUBBER-CD | 2 | | |
| | 23 | AH66-30098A | LEVER-LIFTER | 1 | | |
| | 24 | AH73-10034A | RUBBER-CD(G) | 2 | GREEN | |
| | 25 | AH63-40157B | SHIELD-TOP | 1 | | |

Cassette mechanism assembly and parts list



Parts list(Cassette mechanism)

Block No. M4MM

| Item | Parts number | Parts name | Q'ty | Description | Area |
|------|--------------|---------------|------|-----------------|------|
| 1 | AH81-00141A | R/P HEAD | 2 | TC881CB | |
| 2 | AH81-00142A | C.MOTOR ASS'Y | 1 | ADR2400-SHU2L | |
| 3 | AH81-00143A | MAIN BELT 1 | 1 | ADR2400-MAIN76. | |
| 4 | AH81-00144A | MAIN BELT 2 | 1 | ADR2400-MAIN64. | |
| 5 | AH81-00101A | SUB BELT | 2 | ADR2400-FR34.7 | |
| 6 | AH81-00102A | SOLENOIDE | 2 | ADR2400-1 | |
| 7 | AH81-00282A | SPRING | 2 | | |
| 8 | AH81-00283A | PINCH LOLLER | 2 | ASS'Y PARTS | |
| 9 | AH81-00284A | E-HEAD | 1 | TC2131F | |
| 10 | AH81-00285A | MOTOR BRACKET | 1 | | |
| 11 | AH81-00286A | LEAF SWITCH | 2 | ADR2400-MODE | |
| 12 | AH81-00287A | PHOTO SENSOR | 2 | ADR2400-SENSOR | |
| 13 | AH81-00288A | CONNECTOR | 1 | ADR2400-16 | |
| 14 | AH81-00289A | LEAF SWITCH | 6 | ADR2400-MXS0022 | |
| 15 | AH81-00290A | P.C.BOARD | 1 | | |

Electrical parts list

■ Electrical parts list(Main board)

Block No. 01

| △ | Item | Parts number | Parts name | Remarks | Area | △ | Item | Parts number | Parts name | Remarks | Area |
|---|-------|--------------|----------------|----------|------|---|-------|--------------|-------------|---------|------|
| | AC 1 | 2401-001954 | E CAPACITOR | | | | DC 1 | 2301-000412 | C CAPACITOR | | |
| | AC 2 | 2401-001954 | E CAPACITOR | | | | DC 2 | 2301-000379 | C CAPACITOR | | |
| | AC 3 | 2401-001912 | E CAPACITOR | | | | DC 3 | 2301-000404 | C CAPACITOR | | |
| | AC 4 | 2401-001975 | C CAPACITOR | | | | DC 4 | 2301-000422 | M CAPACITOR | | |
| | AC 5 | 2401-000970 | E CAPACITOR | | | | DC 5 | 2201-000368 | C CAPACITOR | | |
| | AC 6 | 2202-000821 | C CAPACITOR | | | | DC 6 | 2201-000368 | C CAPACITOR | | |
| | AC 8 | 2202-000817 | C CAPACITOR | | | | DC 7 | 2401-001912 | E CAPACITOR | | |
| | AC 10 | 2202-000854 | C CAPACITOR | | | | DC 9 | 2301-000390 | C CAPACITOR | | |
| | AC 11 | 2202-000854 | C CAPACITOR | | | | DC 10 | 2301-000379 | C CAPACITOR | | |
| | AC 13 | 2202-000817 | C CAPACITOR | | | | DC 11 | 2301-000370 | C CAPACITOR | | |
| | AC 14 | 2401-001912 | E CAPACITOR | | | | DC 12 | 2301-000370 | C CAPACITOR | | |
| | AC 15 | 2401-000970 | E CAPACITOR | | | | DC 13 | 2401-001022 | E CAPACITOR | | |
| | AC 16 | 2401-001954 | E CAPACITOR | | | | DC 14 | 2401-001975 | C CAPACITOR | | |
| | AC 17 | 2401-001954 | E CAPACITOR | | | | DC 15 | 2401-000240 | E CAPACITOR | | |
| | AC 18 | 2401-001975 | C CAPACITOR | | | | DC 16 | 2301-000474 | C CAPACITOR | | |
| | AC 19 | 2202-000821 | C CAPACITOR | | | | DC 17 | 2301-000393 | C CAPACITOR | | |
| | AC 20 | 2301-000375 | C CAPACITOR | | | | DC 18 | 2301-000375 | C CAPACITOR | | |
| | AC 21 | 2301-000375 | C CAPACITOR | | | | DC 19 | 2401-002180 | E CAPACITOR | | |
| | AC 22 | 2401-001092 | E CAPACITOR | | | | DC 20 | 2401-001954 | E CAPACITOR | | |
| | AC 23 | 2401-002180 | E CAPACITOR | | | | DC 21 | 2401-001022 | E CAPACITOR | | |
| | AC 24 | 2401-002180 | E CAPACITOR | | | | DC 22 | 2202-000781 | C CAPACITOR | | |
| | AC 25 | 2401-001538 | E CAPACITOR | | | | DC 23 | 2401-001975 | C CAPACITOR | | |
| | AC101 | 2401-001975 | C CAPACITOR | | | | DC 24 | 2401-000795 | E CAPACITOR | | |
| | AC102 | 2401-000419 | E CAPACITOR | | | | DC 25 | 2401-001022 | E CAPACITOR | | |
| | AD 1 | 0401-000101 | DIODE | 1N4148 | | | DC 26 | 2201-000300 | C CAPACITOR | | |
| | AD 2 | 0401-000101 | DIODE | 1N4148 | | | DC 27 | 2301-000400 | C CAPACITOR | | |
| | AD 3 | 0401-000101 | DIODE | 1N4148 | | | DC 31 | 2401-001080 | E CAPACITOR | | |
| | AD 10 | 0401-000101 | DIODE | 1N4148 | | | DC 32 | 2401-001022 | E CAPACITOR | | |
| △ | AIC 1 | 1201-001654 | IC | 7295 | | | DC 33 | 2401-001912 | E CAPACITOR | | |
| △ | AIC 2 | 1201-001654 | IC | 7295 | | | DC 34 | 2401-001080 | E CAPACITOR | | |
| | AJACK | 3716-000209 | TERMINAL BLOCK | | | | DC 36 | 2201-000300 | C CAPACITOR | | |
| | AJW 1 | AH39-00157D | LEAD-CONNECTOR | | | | DC 37 | 2301-000400 | C CAPACITOR | | |
| | AQ 1 | 0504-000118 | TRANSISTOR | KSR1003 | | | DC 38 | 2401-001022 | E CAPACITOR | | |
| | AQ 6 | 0504-001003 | TRANSISTOR | KSR2003 | | | DC 39 | 2401-001975 | C CAPACITOR | | |
| | AQ 7 | 0501-000294 | TRANSISTOR | KSA708-Y | | | DC 40 | 2202-000781 | C CAPACITOR | | |
| | AR 1 | 2001-000890 | C RESISTOR | | | | DC 41 | 2401-001022 | E CAPACITOR | | |
| | AR 2 | 2001-000290 | C RESISTOR | | | | DC 42 | 2301-000375 | C CAPACITOR | | |
| | AR 3 | 2001-000522 | C RESISTOR | | | | DC 43 | 2202-000781 | C CAPACITOR | | |
| | AR 6 | 2001-000924 | C RESISTOR | | | | DC 44 | 2401-002180 | E CAPACITOR | | |
| | AR 7 | 2001-000786 | C RESISTOR | | | | DC 45 | 2202-000781 | C CAPACITOR | | |
| | AR 10 | 2001-000522 | C RESISTOR | | | | DC 46 | 2202-000781 | C CAPACITOR | | |
| | AR 12 | 2001-000290 | C RESISTOR | | | | DC 47 | 2301-000400 | C CAPACITOR | | |
| | AR 18 | 2001-000924 | C RESISTOR | | | | DC 48 | 2202-000796 | C CAPACITOR | | |
| | AR 20 | 2001-000786 | C RESISTOR | | | | DC 49 | 2401-000240 | E CAPACITOR | | |
| | AR 24 | 2001-000522 | C RESISTOR | | | | DC 50 | 2401-001975 | C CAPACITOR | | |
| | AR 30 | 2003-000689 | OM RESISTOR | | | | DC 51 | 2301-000393 | C CAPACITOR | | |
| | AR 31 | 2003-000689 | OM RESISTOR | | | | DC 52 | 2401-001022 | E CAPACITOR | | |
| | AR 32 | 2001-000290 | C RESISTOR | | | | DC 54 | 2301-000390 | C CAPACITOR | | |
| | AR 33 | 2001-000786 | C RESISTOR | | | | DC 55 | 2301-000370 | C CAPACITOR | | |
| | AR 34 | 2001-000591 | C RESISTOR | | | | DC 56 | 2301-000370 | C CAPACITOR | | |
| | AR 36 | 2001-000429 | C RESISTOR | | | | DC 57 | 2301-000379 | C CAPACITOR | | |
| | AR 39 | 2001-000522 | C RESISTOR | | | | DC 58 | 2301-000474 | C CAPACITOR | | |
| | AR100 | 2001-000429 | C RESISTOR | | | | DC 59 | 2401-000438 | E CAPACITOR | | |
| | AR203 | 2001-000660 | C RESISTOR | | | | DC 60 | 2401-000438 | E CAPACITOR | | |
| | AR204 | 2001-000008 | C RESISTOR | | | | DC 61 | 2401-001022 | E CAPACITOR | | |
| | AR205 | 2001-000008 | C RESISTOR | | | | DC 62 | 2401-001912 | E CAPACITOR | | |
| | AR206 | 2001-000977 | C RESISTOR | | | | DC 63 | 2202-000821 | C CAPACITOR | | |
| | AR208 | 2001-000429 | C RESISTOR | | | | DC 64 | 2202-000821 | C CAPACITOR | | |
| | CCW 1 | 3710-001567 | CONNECTOR | | | | DC 70 | 2401-001895 | E CAPACITOR | | |
| | CCW 2 | 3710-001571 | CONNECTOR | | | | DC 71 | 2202-000781 | C CAPACITOR | | |
| | CON 1 | AH39-50001L | LEAD-FASTEN | | | | DC 72 | 2202-000781 | C CAPACITOR | | |
| | CONA- | 3811-000131 | WIRE-PVC CU | | | | DC 73 | 2301-000400 | C CAPACITOR | | |
| | D 200 | 2301-000407 | C CAPACITOR | | | | DC 74 | 2202-000243 | C CAPACITOR | | |

■ Electrical parts list(Main board)

Block No. 01

| △ | Item | Parts number | Parts name | Remarks | Area | △ | Item | Parts number | Parts name | Remarks | Area |
|---|-------|--------------|----------------|-----------------|------|---|-------|--------------|-------------|---------|------|
| | DC 75 | 2202-000243 | C CAPACITOR | | | | DR 48 | 2001-000591 | C RESISTOR | | |
| | DC301 | 2202-000781 | C CAPACITOR | | | | DR 49 | 2001-000734 | C RESISTOR | | |
| | DC302 | 2202-000781 | C CAPACITOR | | | | DR 50 | 2001-000613 | C RESISTOR | | |
| | DC303 | 2202-000781 | C CAPACITOR | | | | DR 58 | 2001-000325 | C RESISTOR | | |
| | DD 1 | 0401-000101 | DIODE | 1N4148 | | | DR 59 | 2001-000331 | C RESISTOR | | |
| | DD 2 | 0401-000101 | DIODE | 1N4148 | | | DR 61 | 2001-000734 | C RESISTOR | | |
| | DD 3 | 0401-000101 | DIODE | 1N4148 | | | DR 62 | 2001-000786 | C RESISTOR | | |
| | DD 4 | 0401-000101 | DIODE | 1N4148 | | | DR 63 | 2001-000591 | C RESISTOR | | |
| | DIC 1 | 1201-000358 | IC | 22291 | | | DR 64 | 2001-000290 | C RESISTOR | | |
| | DIC 2 | 1201-000191 | IC | 4558 | | | DR 65 | 2001-000429 | C RESISTOR | | |
| | DL 1 | AH26-10002Y | COIL | | | | DR 66 | 2001-000003 | C RESISTOR | | |
| | DL 2 | AH26-10002Y | COIL | | | | DR 67 | 2001-000924 | C RESISTOR | | |
| | DL 5 | AH27-00018A | COIL | LTRT1500-X00021 | | | DR 68 | 2001-000290 | C RESISTOR | | |
| | DL 6 | 2701-000298 | INDUCTOR-AXIAL | | | | DR 69 | 2001-000331 | C RESISTOR | | |
| | DQ 1 | 0501-000369 | TRANSISTOR | KSC2331-Y | | | DR 70 | 2001-000003 | C RESISTOR | | |
| | DQ 2 | 0501-000610 | TRANSISTOR | KSA928A-Y | | | DR 71 | 2001-000397 | C RESISTOR | | |
| | DQ 3 | 0501-000398 | TRANSISTOR | KSC945 | | | DR 72 | 2001-000977 | C RESISTOR | | |
| | DQ 4 | 0504-000118 | TRANSISTOR | KSR1003 | | | DR 73 | 2001-000449 | C RESISTOR | | |
| | DQ 5 | 0501-000010 | TRANSISTOR | KSC1008 | | | DR 74 | 2001-000786 | C RESISTOR | | |
| | DQ 6 | 0501-000010 | TRANSISTOR | KSC1008 | | | DR 75 | 2001-000449 | C RESISTOR | | |
| | DQ 7 | 0501-000010 | TRANSISTOR | KSC1008 | | | DR 76 | 2001-000429 | C RESISTOR | | |
| | DQ 8 | 0501-000010 | TRANSISTOR | KSC1008 | | | DR 77 | 2001-000522 | C RESISTOR | | |
| | DQ 9 | 0504-001003 | TRANSISTOR | KSR2003 | | | DR 78 | 2001-000734 | C RESISTOR | | |
| | DQ 10 | 0504-000118 | TRANSISTOR | KSR1003 | | | DR 79 | 2001-000449 | C RESISTOR | | |
| | DQ 11 | 0501-000398 | TRANSISTOR | KSC945 | | | DR 80 | 2001-000449 | C RESISTOR | | |
| | DQ 12 | 0501-000398 | TRANSISTOR | KSC945 | | | DR 81 | 2001-000449 | C RESISTOR | | |
| | DQ 13 | 0501-000398 | TRANSISTOR | KSC945 | | | DR 82 | 2001-000449 | C RESISTOR | | |
| | DQ 14 | 0501-000398 | TRANSISTOR | KSC945 | | | DR 83 | 2001-000449 | C RESISTOR | | |
| | DQ 15 | 0504-001003 | TRANSISTOR | KSR2003 | | | DR 84 | 2001-000449 | C RESISTOR | | |
| | DQ 16 | 0501-000398 | TRANSISTOR | KSC945 | | | DR 85 | 2001-000786 | C RESISTOR | | |
| | DQ 17 | 0501-000398 | TRANSISTOR | KSC945 | | | DR 86 | 2001-000773 | C RESISTOR | | |
| | DQ 18 | 0504-001003 | TRANSISTOR | KSR2003 | | | DR 87 | 2001-000525 | C RESISTOR | | |
| | DQ 20 | 0504-000118 | TRANSISTOR | KSR1003 | | | DR 88 | 2001-000449 | C RESISTOR | | |
| | DR 1 | 2001-000440 | C RESISTOR | | | | DR 89 | 2001-000008 | C RESISTOR | | |
| | DR 2 | 2001-000440 | C RESISTOR | | | | DR 90 | 2001-000591 | C RESISTOR | | |
| | DR 3 | 2001-000734 | C RESISTOR | | | | DR 91 | 2001-000008 | C RESISTOR | | |
| | DR 5 | 2001-000290 | C RESISTOR | | | | DR 92 | 2001-000591 | C RESISTOR | | |
| | DR 6 | 2001-001096 | C RESISTOR | | | | DR 93 | 2001-000591 | C RESISTOR | | |
| | DR 7 | 2001-000786 | C RESISTOR | | | | DR 94 | 2001-000864 | C RESISTOR | | |
| | DR 8 | 2001-000591 | C RESISTOR | | | | DR 95 | 2001-000449 | C RESISTOR | | |
| | DR 9 | 2001-000290 | C RESISTOR | | | | DR 96 | 2001-000864 | C RESISTOR | | |
| | DR 10 | 2001-000429 | C RESISTOR | | | | DR 97 | 2001-000563 | C RESISTOR | | |
| | DR 11 | 2001-000734 | C RESISTOR | | | | DR 98 | 2001-000449 | C RESISTOR | | |
| | DR 12 | 2001-000924 | C RESISTOR | | | | DR 99 | 2001-000563 | C RESISTOR | | |
| | DR 13 | 2001-000003 | C RESISTOR | | | | DR100 | 2001-000258 | C RESISTOR | | |
| | DR 15 | 2001-000290 | C RESISTOR | | | | DR101 | 2001-000281 | C RESISTOR | | |
| | DR 16 | 2001-000290 | C RESISTOR | | | | DR102 | 2001-000281 | C RESISTOR | | |
| | DR 18 | 2001-000734 | C RESISTOR | | | | DR120 | 2001-000449 | C RESISTOR | | |
| | DR 19 | 2001-000290 | C RESISTOR | | | | DR200 | 2001-001140 | C RESISTOR | | |
| | DR 20 | 2001-000977 | C RESISTOR | | | | DR201 | 2001-001153 | C RESISTOR | | |
| | DR 21 | 2001-000397 | C RESISTOR | | | | DR203 | 2001-000522 | C RESISTOR | | |
| | DR 22 | 2001-000890 | C RESISTOR | | | | DVR 1 | 2103-000248 | SEMI F.VR. | | |
| | DR 23 | 2001-000003 | C RESISTOR | | | | DVR 2 | 2103-000248 | SEMI F.VR. | | |
| | DR 24 | 2001-000786 | C RESISTOR | | | | DVR 3 | 2103-000492 | SEMI F.VR. | | |
| | DR 25 | 2001-000890 | C RESISTOR | | | | DW 1 | 3711-003111 | CONNECTOR | | |
| | DR 26 | 2001-000708 | C RESISTOR | | | | DW 2 | 3711-003107 | CONNECTOR | | |
| | DR 27 | 2001-000331 | C RESISTOR | | | | DW 3 | 3711-003107 | CONNECTOR | | |
| | DR 28 | 2001-000325 | C RESISTOR | | | | EC 1 | 2401-001912 | E CAPACITOR | | |
| | DR 40 | 2001-000522 | C RESISTOR | | | | EC 2 | 2401-001912 | E CAPACITOR | | |
| | DR 41 | 2001-000734 | C RESISTOR | | | | EC 3 | 2202-000797 | C CAPACITOR | | |
| | DR 42 | 2001-000613 | C RESISTOR | | | | EC 4 | 2202-000809 | C CAPACITOR | | |
| | DR 43 | 2001-000258 | C RESISTOR | | | | EC 5 | 2401-001889 | E CAPACITOR | | |
| | DR 47 | 2001-000522 | C RESISTOR | | | | EC 6 | 2401-000907 | E CAPACITOR | | |

■ Electrical parts list(Main board)

Block No. 01

| △ | Item | Parts number | Parts name | Remarks | Area | △ | Item | Parts number | Parts name | Remarks | Area |
|---|-------|--------------|-------------|-----------|------|---|-------|--------------|----------------|-----------|------|
| | EC 7 | 2202-000797 | C CAPACITOR | | | | FR 1 | 2001-000613 | C RESISTOR | | |
| | EC 8 | 2202-000797 | C CAPACITOR | | | | FR 1 | 3602-000147 | FUSE CLIP | | |
| | EC 9 | 2202-000781 | C CAPACITOR | | | | FR 2 | 3601-000216 | FUSE-CARTRIDGE | | |
| | EC 10 | 2202-000148 | C CAPACITOR | | | | FR 2 | 2001-000241 | C RESISTOR | | |
| | EC 11 | 2202-000817 | C CAPACITOR | | | | FR 3 | 2001-000023 | C RESISTOR | | |
| | EC 12 | 2202-000817 | C CAPACITOR | | | | FR 4 | 2001-000281 | C RESISTOR | | |
| | EC 20 | 2202-000854 | C CAPACITOR | | | | FR 5 | 2001-000281 | C RESISTOR | | |
| | ECW 1 | 3711-001011 | CONNECTOR | | | | FR 6 | 2001-000281 | C RESISTOR | | |
| | ED 1 | 0401-000101 | DIODE | 1N4148 | | | FR 7 | 2001-000613 | C RESISTOR | | |
| | ED 2 | 0401-000101 | DIODE | 1N4148 | | | FR 8 | 2001-000411 | C RESISTOR | | |
| | EIC 1 | 1204-001470 | IC | M65855FP | | | FR 9 | 2001-000008 | C RESISTOR | | |
| | EQ 1 | 0504-000118 | TRANSISTOR | KSR1003 | | | FR 10 | 2001-000008 | C RESISTOR | | |
| | EQ 2 | 0504-000118 | TRANSISTOR | KSR1003 | | | FR 11 | 2001-000411 | C RESISTOR | | |
| | EQ 3 | 0504-000118 | TRANSISTOR | KSR1003 | | | FR 12 | 2001-000008 | C RESISTOR | | |
| | ER 1 | 2001-000008 | C RESISTOR | | | | FR 13 | 2001-000786 | C RESISTOR | | |
| | ER 2 | 2001-000508 | C RESISTOR | | | | FR 14 | 2001-000008 | C RESISTOR | | |
| | ER 3 | 2001-000273 | C RESISTOR | | | | FR 15 | 2001-000786 | C RESISTOR | | |
| | ER 4 | 2001-000522 | C RESISTOR | | | | FR 16 | 2001-000429 | C RESISTOR | | |
| | ER 5 | 2001-000977 | C RESISTOR | | | | FR 17 | 2001-000429 | C RESISTOR | | |
| | ER 6 | 2001-000290 | C RESISTOR | | | | FR 18 | 2001-000221 | C RESISTOR | | |
| | ER 7 | 2001-000319 | C RESISTOR | | | | FR 19 | 2001-000221 | C RESISTOR | | |
| | ER 8 | 2001-000563 | C RESISTOR | | | | FR2CL | 3602-000147 | FUSE CLIP | | |
| | ER 9 | 2001-000429 | C RESISTOR | | | | FR2CL | 3602-000147 | FUSE CLIP | | |
| | ER 11 | 2001-000273 | C RESISTOR | | | | FW 2 | 3711-002809 | CONNECTOR | | |
| | ER 12 | 2001-000734 | C RESISTOR | | | | FW 7 | AH39-00157E | LEAD-CONNECTOR | | |
| | ER 13 | 2001-000008 | C RESISTOR | | | | FZD 1 | 0403-000372 | ZENER DIODE | | |
| | ER 14 | 2001-000290 | C RESISTOR | | | | JW122 | 2202-000854 | C CAPACITOR | | |
| | ER 15 | 2001-000290 | C RESISTOR | | | | MC 1 | 2201-000565 | C CAPACITOR | | |
| | FAN | AH31-10020A | FAN | | | | MC 2 | 2401-000303 | E CAPACITOR | | |
| | FC 1 | 2301-000375 | C CAPACITOR | | | | MC 3 | 2401-001975 | C CAPACITOR | | |
| | FC 2 | 2301-000375 | C CAPACITOR | | | | MCW 1 | 3711-000820 | CONNECTOR | | |
| | FC 3 | 2201-000928 | C CAPACITOR | | | | MD 1 | 0401-000101 | DIODE | 1N4148 | |
| | FC 5 | 2401-001975 | C CAPACITOR | | | | MD 2 | 0401-000101 | DIODE | 1N4148 | |
| | FC 6 | 2301-000375 | C CAPACITOR | | | | ML 1 | 2701-000298 | INDUCTOR-AXIAL | | |
| | FC 7 | 2301-000375 | C CAPACITOR | | | | MQ 2 | 0501-000398 | TRANSISTOR | KSC945 | |
| | FC 8 | 2201-000928 | C CAPACITOR | | | | MQ 3 | 0501-000610 | TRANSISTOR | KSA928A-Y | |
| | FC 10 | 2202-000781 | C CAPACITOR | | | | MR 5 | 2001-000449 | C RESISTOR | | |
| | FC 11 | 2202-000781 | C CAPACITOR | | | | MR 6 | 2001-000786 | C RESISTOR | | |
| | FC 12 | 2202-000781 | C CAPACITOR | | | | MR 7 | 2001-000864 | C RESISTOR | | |
| | FC 13 | 2401-000907 | E CAPACITOR | | | | MR 8 | 2001-000786 | C RESISTOR | | |
| | FC 14 | 2401-001917 | E CAPACITOR | | | | PC 1 | 2401-001943 | E CAPACITOR | | |
| | FC 15 | 2401-001917 | E CAPACITOR | | | | PC 2 | 2401-001943 | E CAPACITOR | | |
| | FC 16 | 2201-000368 | C CAPACITOR | | | | PC 3 | 2201-000783 | C CAPACITOR | | |
| | FC 17 | 2201-000368 | C CAPACITOR | | | | PC 4 | 2201-000783 | C CAPACITOR | | |
| | FC 18 | 2401-001954 | E CAPACITOR | | | | PC 5 | 2201-000783 | C CAPACITOR | | |
| | FC 19 | 2401-001912 | E CAPACITOR | | | | PC 6 | 2201-000783 | C CAPACITOR | | |
| | FC 20 | 2401-001912 | E CAPACITOR | | | | PC 7 | 2401-003116 | E CAPACITOR | | |
| | FC 21 | 2301-000379 | C CAPACITOR | | | | PC 8 | 2401-001413 | E CAPACITOR | | |
| | FC 22 | 2201-000504 | C CAPACITOR | | | | PC 9 | 2401-001954 | E CAPACITOR | | |
| | FC 23 | 2401-001912 | E CAPACITOR | | | | PC 10 | 2401-001954 | E CAPACITOR | | |
| | FC 24 | 2401-001912 | E CAPACITOR | | | | PC 11 | 2401-001895 | E CAPACITOR | | |
| | FC 25 | 2401-001912 | E CAPACITOR | | | | PC 13 | 2401-001895 | E CAPACITOR | | |
| | FC 26 | 2401-001912 | E CAPACITOR | | | | PC 14 | 2401-001954 | E CAPACITOR | | |
| | FC100 | 2401-001895 | E CAPACITOR | | | | PC 15 | 2401-001954 | E CAPACITOR | | |
| | FC103 | 2201-000368 | C CAPACITOR | | | | PC 16 | 2401-001912 | E CAPACITOR | | |
| | FC104 | 2201-000368 | C CAPACITOR | | | | PC 17 | 2401-000475 | E CAPACITOR | | |
| | FD 1 | 0401-000101 | DIODE | 1N4148 | | | PC 18 | 2401-001975 | C CAPACITOR | | |
| | FIC 1 | 1204-001621 | IC | LC75341 | | | PC 19 | 2401-000475 | E CAPACITOR | | |
| | FJACK | 3722-000377 | JACK-RCA | | | | PC 20 | 2401-000230 | E CAPACITOR | | |
| | FQ 1 | 0504-000122 | TRANSISTOR | KSR1009Y | | | PC 21 | 2401-001954 | E CAPACITOR | | |
| | FQ 2 | 0504-000122 | TRANSISTOR | KSR1009Y | | | PC 23 | 2201-000783 | C CAPACITOR | | |
| | FQ 3 | 0504-001003 | TRANSISTOR | KSR2003 | | | PC 24 | 2201-000783 | C CAPACITOR | | |
| | FQ 4 | 0501-000407 | TRANSISTOR | KSD471A-Y | | | PC 25 | 2401-001975 | C CAPACITOR | | |

■ Electrical parts list(Main board)

Block No. 01

| △ | Item | Parts number | Parts name | Remarks | Area | △ | Item | Parts number | Parts name | Remarks | Area |
|---|-------|---------------|-----------------|-----------------|------|---|-------|---------------|----------------|-----------------|------|
| | PC 26 | 2301-000449 | C CAPACITOR | | | | PR 27 | 2001-000027 | C RESISTOR | | |
| | PC 27 | 2401-001538 | E CAPACITOR | | | | PR 28 | 2001-000020 | C RESISTOR | | |
| | PC 28 | 2401-000795 | E CAPACITOR | | | | PR 29 | 2001-000023 | C RESISTOR | | |
| | PC 29 | 2401-001975 | C CAPACITOR | | | | PR 30 | 2001-000290 | C RESISTOR | | |
| | PC 30 | 2201-000565 | C CAPACITOR | | | | PR 31 | 2001-000429 | C RESISTOR | | |
| | PC 31 | 2401-001895 | E CAPACITOR | | | | PR300 | 2001-000525 | C RESISTOR | | |
| | PC 32 | 2401-001102 | E CAPACITOR | | | | PZD 1 | 0403-000564 | ZENER DIODE | | |
| | PC 33 | 2202-000797 | C CAPACITOR | | | | PZD 2 | 0403-000564 | ZENER DIODE | | |
| | PCW 1 | AH39-00144A | LEAD-CONNECTOR | | | | PZD 3 | 0403-001010 | ZENER DIODE | | |
| | PC200 | 2401-000795 | E CAPACITOR | | | | PZD 4 | 0403-000354 | ZENER DIODE | | |
| △ | PD 1 | 0402-000450 | DIODE-BRIDGE | | | | PZD 5 | 0403-000377 | ZENER DIODE | | |
| △ | PD 2 | 0402-000151 | DIODE | 1N5392 | | | PZD 6 | 0403-000377 | ZENER DIODE | | |
| △ | PD 3 | 0402-000151 | DIODE | 1N5392 | | | PZD 7 | 0403-000354 | ZENER DIODE | | |
| △ | PD 4 | 0402-000151 | DIODE | 1N5392 | | | PZD 8 | 0403-000377 | ZENER DIODE | | |
| △ | PD 5 | 0402-000151 | DIODE | 1N5392 | | △ | RC 1 | 2201-000546 | C CAPACITOR | | |
| | PD 6 | 0402-000127 | DIODE | 1N4002 | | | RC 2 | 2201-000546 | C CAPACITOR | | |
| | PD 7 | 0402-000127 | DIODE | 1N4002 | | | RCW 1 | 3711-001167 | CONNECTOR | | |
| | PD 8 | 0402-000127 | DIODE | 1N4002 | | | RCW 2 | 3711-000190 | CONNECTOR | | |
| | PD 9 | 0402-000151 | DIODE | 1N5392 | | △ | RF 2 | 3601-000162 | FUSE CARTRIDGE | | |
| | PD 10 | 0402-000151 | DIODE | 1N5392 | | | RF 2 | 3602-000147 | FUSE CLIP | | |
| | PIC 1 | 1203-000242 | IC | 7812 | | | RL 1 | AH27-10001F | COIL | 27UH | |
| △ | PIC 2 | 1203-000276 | IC | 7805 | | | RL 2 | AH27-10001F | COIL | 27UH | |
| | PIC 3 | 1203-000110 | IC | 7912 | | | RR 1 | 13954-500-210 | CERAMIC-PIPE | PI1.4 7MM FOR L | |
| | PL 1 | 2701-000114 | INDUCTOR-AXIAL | | | △ | RR 1 | 2008-000135 | FUSE RESISTOR | | |
| | PL 2 | 2701-000298 | INDUCTOR-AXIAL | | | △ | RR 2 | 2008-000135 | FUSE RESISTOR | | |
| △ | PQ 1 | 0502-000424 | POWER TRANSISTO | 2SB1566-F | | | RR 2 | 13954-500-210 | CERAMIC-PIPE | PI1.4 7MM FOR L | |
| △ | PQ 2 | 0502-000424 | POWER TRANSISTO | 2SB1566-F | | | RR 3 | 13954-500-210 | CERAMIC-PIPE | PI1.4 7MM FOR L | |
| | PQ 3 | 0501-000331 | TRANSISTOR | KSC1009-Y | | △ | RR 3 | 2008-000137 | FUSE RESISTOR | | |
| | PQ 4 | 0501-000398 | TRANSISTOR | KSC945 | | △ | RR 4 | 2008-000137 | FUSE RESISTOR | | |
| | PQ 5 | 0501-000294 | TRANSISTOR | KSA708-Y | | | RR 4 | 13954-500-210 | CERAMIC-PIPE | PI1.4 7MM FOR L | |
| | PQ 6 | 0501-000610 | TRANSISTOR | KSA928A-Y | | △ | RSW 1 | 3408-000177 | SWITCH-SLIDE | VOLTAGE SELECTR | |
| | PQ 8 | 0501-000407 | TRANSISTOR | KSD471A-Y | | | VC 1 | 2401-001954 | E CAPACITOR | | |
| | PQ 9 | 0504-000118 | TRANSISTOR | KSR1003 | | | VC 2 | 2401-002180 | E CAPACITOR | | |
| | PQ 10 | 0501-000294 | TRANSISTOR | KSA708-Y | | | VC 3 | 2401-001954 | E CAPACITOR | | |
| △ | PQ 11 | 0502-000407 | POWER TRANSISTO | KTC4369Y | | | VC 4 | 2401-001954 | E CAPACITOR | | |
| | PR 1 | 2003-000689 | OM RESISTOR | | | | VC 5 | 2401-001954 | E CAPACITOR | | |
| | PR 2 | 2001-000019 | C RESISTOR | | | | VC 6 | 2401-002180 | E CAPACITOR | | |
| | PR 3 | 2001-000793 | C RESISTOR | | | | VC 7 | 2202-000781 | C CAPACITOR | | |
| | PR 4 | 2001-000793 | C RESISTOR | | | | VC 8 | 2202-000781 | C CAPACITOR | | |
| △ | PR 5 | 2008-000135 | FUSE RESISTOR | | | | VC 9 | 2202-000263 | C CAPACITOR | | |
| | PR 6 | 2008-000135 | FUSE RESISTOR | | | | VC 10 | 2202-000263 | C CAPACITOR | | |
| △ | PR 6 | 13954-500-210 | CERAMIC-PIPE | PI1.4 7MM FOR L | | | VC 12 | 2401-001954 | E CAPACITOR | | |
| | PR 7 | 13954-500-210 | CERAMIC-PIPE | PI1.4 7MM FOR L | | | VC 13 | 2401-001954 | E CAPACITOR | | |
| △ | PR 7 | 2008-000135 | FUSE RESISTOR | | | | VC 14 | 2401-001954 | E CAPACITOR | | |
| | PR 8 | 2001-000890 | C RESISTOR | | | | VC 15 | 2202-000854 | C CAPACITOR | | |
| | PR 9 | 2001-000613 | C RESISTOR | | | | VC 20 | 2401-000795 | E CAPACITOR | | |
| | PR 10 | 2001-000734 | C RESISTOR | | | | VC200 | 2202-000279 | C CAPACITOR | | |
| | PR 11 | 13954-500-210 | CERAMIC-PIPE | PI1.4 7MM FOR L | | | VIC 1 | 1201-000163 | IC | 4560 | |
| | PR 11 | 2003-000701 | OM RESISTOR | | | | VIC 2 | 1201-000163 | IC | 4560 | |
| | PR 12 | 2001-001153 | C RESISTOR | | | | VQ 1 | 0504-001003 | TRANSISTOR | KSR2003 | |
| | PR 13 | 2001-001153 | C RESISTOR | | | | VQ 2 | 0504-000118 | TRANSISTOR | KSR1003 | |
| | PR 14 | 2001-000290 | C RESISTOR | | | | VQ 3 | 0504-001003 | TRANSISTOR | KSR2003 | |
| | PR 15 | 2001-000522 | C RESISTOR | | | | VQ 4 | 0501-000398 | TRANSISTOR | KSC945 | |
| | PR 16 | 2001-000786 | C RESISTOR | | | | VQ 7 | 0501-000398 | TRANSISTOR | KSC945 | |
| | PR 17 | 2001-000734 | C RESISTOR | | | | VQ 8 | 0501-000398 | TRANSISTOR | KSC945 | |
| | PR 18 | 2001-000977 | C RESISTOR | | | | VQ 9 | 0501-000398 | TRANSISTOR | KSC945 | |
| | PR 19 | 2001-000290 | C RESISTOR | | | | VQ 10 | 0501-000398 | TRANSISTOR | KSC945 | |
| △ | PR 20 | 2003-000690 | OM RESISTOR | | | | VQ 11 | 0501-000398 | TRANSISTOR | KSC945 | |
| | PR 21 | 2001-000290 | C RESISTOR | | | | VR 1 | 2001-000660 | C RESISTOR | | |
| | PR 22 | 2001-000522 | C RESISTOR | | | | VR 2 | 2001-000660 | C RESISTOR | | |
| | PR 23 | 2001-000780 | C RESISTOR | | | | VR 3 | 2001-000660 | C RESISTOR | | |
| | PR 25 | 2001-000591 | C RESISTOR | | | | VR 4 | 2001-000734 | C RESISTOR | | |
| | PR 26 | 2003-000468 | OM RESISTOR | | | | VR 5 | 2001-000290 | C RESISTOR | | |

■ Electrical parts list(Main board)

Block No. 01

| △ | Item | Parts number | Parts name | Remarks | Area |
|---|-------|--------------|------------|---------|------|
| | VR 6 | 2001-000522 | C RESISTOR | | |
| | VR 7 | 2001-000273 | C RESISTOR | | |
| | VR 8 | 2001-000522 | C RESISTOR | | |
| | VR 9 | 2001-000522 | C RESISTOR | | |
| | VR 10 | 2001-000734 | C RESISTOR | | |
| | VR 11 | 2001-000734 | C RESISTOR | | |
| | VR 15 | 2001-000411 | C RESISTOR | | |
| | VR 16 | 2001-000734 | C RESISTOR | | |
| | VR 17 | 2001-000734 | C RESISTOR | | |
| | VR 19 | 2001-000522 | C RESISTOR | | |
| | VR 20 | 2001-000522 | C RESISTOR | | |
| | VR 21 | 2001-000331 | C RESISTOR | | |
| | VR 22 | 2001-000734 | C RESISTOR | | |
| | VR 23 | 2001-000734 | C RESISTOR | | |
| | VR 24 | 2001-000411 | C RESISTOR | | |
| | VR 25 | 2001-000734 | C RESISTOR | | |
| | VR 26 | 2001-000786 | C RESISTOR | | |
| | VR 27 | 2001-000786 | C RESISTOR | | |
| | VR 28 | 2001-000331 | C RESISTOR | | |
| | VR 29 | 2001-000331 | C RESISTOR | | |
| | VR 30 | 2001-000331 | C RESISTOR | | |
| | VR 31 | 2001-000273 | C RESISTOR | | |
| | VR 32 | 2001-000786 | C RESISTOR | | |
| | VR 35 | 2001-000786 | C RESISTOR | | |
| | VR 36 | 2001-000331 | C RESISTOR | | |
| | VR 37 | 2001-000273 | C RESISTOR | | |
| | VR 38 | 2001-000331 | C RESISTOR | | |
| | VR 39 | 2001-000786 | C RESISTOR | | |
| | VR 40 | 2001-000786 | C RESISTOR | | |
| | VR200 | 2001-000786 | C RESISTOR | | |
| | VR201 | 2001-000786 | C RESISTOR | | |

■ Electrical parts list(Front board)

Block No. 02

| △ | Item | Parts number | Parts name | Remarks | Area | △ | Item | Parts number | Parts name | Remarks | Area |
|---|-------|--------------|----------------|---------|------|---|-------|--------------|-------------|-----------|------|
| | DECK | 3809-001146 | FLAT CABLE | | | | UD 24 | 0402-000127 | DIODE | 1N4002 | |
| | GND 2 | AH39-50001L | LEAD-FASTEN | | | | UD 25 | 0401-000101 | DIODE | 1N4148 | |
| | RE 1 | AC59-60060A | MODULE-REMOCON | | | | UD 26 | 0401-000101 | DIODE | 1N4148 | |
| | SW 1 | 3404-000165 | TACT SWITCH | | | | UD 27 | 0401-000101 | DIODE | 1N4148 | |
| | SW 2 | 3404-000165 | TACT SWITCH | | | | UD 28 | 0401-000101 | DIODE | 1N4148 | |
| | SW 3 | 3404-000165 | TACT SWITCH | | | | UD 29 | 0401-000101 | DIODE | 1N4148 | |
| | SW 4 | 3404-000165 | TACT SWITCH | | | | UD 30 | 0402-000127 | DIODE | 1N4002 | |
| | SW 5 | 3404-000165 | TACT SWITCH | | | | UIC 1 | AH11-00017B | IC ROM | | |
| | SW 6 | 3404-000165 | TACT SWITCH | | | | UIC 2 | AH14-10007C | IC | | |
| | SW 11 | 3404-000165 | TACT SWITCH | | | | UIC 3 | 1201-000163 | IC | 4560 | |
| | SW 12 | 3404-000165 | TACT SWITCH | | | | ULD 1 | 0601-001238 | LED | | |
| | SW 13 | 3404-000165 | TACT SWITCH | | | | UMC 1 | 2401-001917 | E CAPACITOR | | |
| | SW 14 | 3404-000165 | TACT SWITCH | | | | UMC 2 | 2401-001917 | E CAPACITOR | | |
| | SW 15 | 3404-000165 | TACT SWITCH | | | | UMC 3 | 2401-001917 | E CAPACITOR | | |
| | SW 16 | 3404-000165 | TACT SWITCH | | | | UMC 4 | 2401-001952 | E CAPACITOR | | |
| | SW 17 | 3404-000165 | TACT SWITCH | | | | UMC 5 | 2202-000781 | C CAPACITOR | | |
| | SW 18 | 3404-000165 | TACT SWITCH | | | | UMC 6 | 2401-001965 | E CAPACITOR | | |
| | SW 19 | 3404-000165 | TACT SWITCH | | | | UMC 7 | 2401-001917 | E CAPACITOR | | |
| | SW 20 | 3404-000165 | TACT SWITCH | | | | UMC 8 | 2202-000796 | C CAPACITOR | | |
| | SW 21 | 3404-000165 | TACT SWITCH | | | | UMC 9 | 2201-000653 | C CAPACITOR | | |
| | SW 22 | 3404-000165 | TACT SWITCH | | | | UMC10 | 2201-000614 | C CAPACITOR | | |
| | SW 23 | 3404-000165 | TACT SWITCH | | | | UMC21 | 2401-001919 | E CAPACITOR | | |
| | SW 24 | 3404-000165 | TACT SWITCH | | | | UMC22 | 2401-001904 | E CAPACITOR | | |
| | SW 25 | 3404-000165 | TACT SWITCH | | | | UMC23 | 2401-001019 | E CAPACITOR | | |
| | SW 27 | 3404-000165 | TACT SWITCH | | | | UMC24 | 2401-001904 | E CAPACITOR | | |
| | SW 28 | 3404-000165 | TACT SWITCH | | | | UMD 1 | 0401-000101 | DIODE | 1N4148 | |
| | SW 29 | 3404-000165 | TACT SWITCH | | | | UMD 2 | 0401-000101 | DIODE | 1N4148 | |
| | SW 30 | 3404-000165 | TACT SWITCH | | | | UMD 3 | 0401-000101 | DIODE | 1N4148 | |
| | SW 31 | 3404-000165 | TACT SWITCH | | | | UMD 4 | 0401-000101 | DIODE | 1N4148 | |
| | SW 32 | 3404-000165 | TACT SWITCH | | | | UMR 1 | 2001-000977 | C RESISTOR | | |
| | SW 33 | 3404-000165 | TACT SWITCH | | | | UMR 2 | 2001-000290 | C RESISTOR | | |
| | SW 34 | 3404-000165 | TACT SWITCH | | | | UMR 3 | 2001-000429 | C RESISTOR | | |
| | TAPE | 3809-001146 | FLAT CABLE | | | | UMR 4 | 2001-000780 | C RESISTOR | | |
| | UC 1 | 2401-000459 | E CAPACITOR | | | | UMR 5 | 2001-000786 | C RESISTOR | | |
| | UC 2 | 2401-000475 | E CAPACITOR | | | | UMR 6 | 2001-000780 | C RESISTOR | | |
| | UC 3 | 2201-000565 | C CAPACITOR | | | | UMR 7 | 2001-000660 | C RESISTOR | | |
| | UC 4 | 2201-000565 | C CAPACITOR | | | | UMR 8 | 2001-000273 | C RESISTOR | | |
| | UC 5 | 2201-000565 | C CAPACITOR | | | | UMR 9 | 2001-000449 | C RESISTOR | | |
| | UC 6 | 2401-000240 | E CAPACITOR | | | | UMR10 | 2001-000010 | C RESISTOR | | |
| | UC 7 | 2201-000389 | C CAPACITOR | | | | UMR11 | 2001-000429 | C RESISTOR | | |
| | UC 8 | 2201-000389 | C CAPACITOR | | | | UMR12 | 2001-000290 | C RESISTOR | | |
| | UC 9 | 2201-000483 | C CAPACITOR | | | | UMR13 | 2001-000786 | C RESISTOR | | |
| | UC 10 | 2201-000483 | C CAPACITOR | | | | UMR14 | 2001-000734 | C RESISTOR | | |
| | UC 11 | 2401-000459 | E CAPACITOR | | | | UMR21 | 2001-000290 | C RESISTOR | | |
| | UC 12 | 2401-001931 | E CAPACITOR | | | | UMR22 | 2001-000319 | C RESISTOR | | |
| | UC 13 | 2401-001952 | E CAPACITOR | | | | UMR23 | 2001-000734 | C RESISTOR | | |
| | UC 15 | 2202-000854 | C CAPACITOR | | | | UMR24 | 2001-000405 | C RESISTOR | | |
| | UC 16 | 2201-000300 | C CAPACITOR | | | | UMR30 | 2001-000290 | C RESISTOR | | |
| | UC 17 | 2202-000797 | C CAPACITOR | | | | UMR31 | 2001-000786 | C RESISTOR | | |
| | UC 18 | 2202-000797 | C CAPACITOR | | | | UQ 1 | 0501-000398 | TRANSISTOR | KSC945 | |
| | UC 30 | 2401-001355 | E CAPACITOR | | | | UQ 2 | 0501-000398 | TRANSISTOR | KSC945 | |
| | UCW 1 | 3711-004420 | CONNECTOR | | | | UQ 3 | 0501-000610 | TRANSISTOR | KSA928A-Y | |
| | UCW 2 | 3711-004424 | CONNECTOR | | | | UQ 4 | 0504-000118 | TRANSISTOR | KSR1003 | |
| | UCW 3 | 3708-000454 | CONNECTOR | | | | UQ 5 | 0504-000118 | TRANSISTOR | KSR1003 | |
| | UCW 5 | AH39-00157C | LEAD CONNECTOR | | | | UQ 6 | 0501-000610 | TRANSISTOR | KSA928A-Y | |
| | UCW 6 | AH39-00157B | LEAD CONNECTOR | | | | UQ 7 | 0501-000610 | TRANSISTOR | KSA928A-Y | |
| | UCW 7 | 3711-000906 | CONNECTOR | | | | UQ 8 | 0504-000118 | TRANSISTOR | KSR1003 | |
| | UCW 8 | 3708-000451 | CONNECTOR | | | | UQ 9 | 0501-000398 | TRANSISTOR | KSC945 | |
| | UCW 9 | AH39-00157A | LEAD CONNECTOR | | | | UQ 10 | 0504-000118 | TRANSISTOR | KSR1003 | |
| | UD 20 | 0402-000127 | DIODE | 1N4002 | | | UQ 15 | 0504-000118 | TRANSISTOR | KSR1003 | |
| | UD 21 | 0402-000127 | DIODE | 1N4002 | | | UQ 16 | 0501-000398 | TRANSISTOR | KSC945 | |
| | UD 22 | 0402-000127 | DIODE | 1N4002 | | | UQ 16 | 0501-000407 | TRANSISTOR | KSD471A-Y | |
| | UD 23 | 0401-000101 | DIODE | 1N4148 | | | UQ 17 | 0501-000398 | TRANSISTOR | KSC945 | |

■ Electrical parts list(Front board)

Block No. 02

| △ | Item | Parts number | Parts name | Remarks | Area | △ | Item | Parts number | Parts name | Remarks | Area |
|---|-------|--------------|------------|---------|------|---|-------|--------------|-----------------|-----------|------|
| | UQ 21 | 0501-000398 | TRANSISTOR | KSC945 | | | UR 61 | 2001-000273 | C RESISTOR | | |
| | UQ 22 | 0504-000118 | TRANSISTOR | KSR1003 | | | UR 62 | 2001-000273 | C RESISTOR | | |
| | UQ 23 | 0504-001003 | TRANSISTOR | KSR2003 | | | UR 63 | 2001-000273 | C RESISTOR | | |
| | UR 1 | 2001-000258 | C RESISTOR | | | | UR 64 | 2001-000273 | C RESISTOR | | |
| | UR 2 | 2001-000405 | C RESISTOR | | | | UR 65 | 2001-000429 | C RESISTOR | | |
| | UR 3 | 2001-000241 | C RESISTOR | | | | UR 66 | 2001-000429 | C RESISTOR | | |
| | UR 4 | 2001-000429 | C RESISTOR | | | | UR 67 | 2001-000449 | C RESISTOR | | |
| | UR 5 | 2001-000429 | C RESISTOR | | | | UR 68 | 2001-000281 | C RESISTOR | | |
| | UR 6 | 2001-000429 | C RESISTOR | | | | UR 69 | 2001-000281 | C RESISTOR | | |
| | UR 7 | 2001-000734 | C RESISTOR | | | | UR 70 | 2001-000281 | C RESISTOR | | |
| | UR 8 | 2001-000734 | C RESISTOR | | | | UR 71 | 2001-000429 | C RESISTOR | | |
| | UR 9 | 2001-000734 | C RESISTOR | | | | UR 72 | 2001-000522 | C RESISTOR | | |
| | UR 10 | 2001-000734 | C RESISTOR | | | | UR 73 | 2001-000429 | C RESISTOR | | |
| | UR 11 | 2001-000734 | C RESISTOR | | | | UR 74 | 2001-000429 | C RESISTOR | | |
| | UR 12 | 2001-000734 | C RESISTOR | | | | UR 75 | 2001-000429 | C RESISTOR | | |
| | UR 13 | 2001-000734 | C RESISTOR | | | | UR 76 | 2001-000429 | C RESISTOR | | |
| | UR 14 | 2001-000734 | C RESISTOR | | | | UR 77 | 2001-000429 | C RESISTOR | | |
| | UR 15 | 2001-000734 | C RESISTOR | | | | UR 78 | 2001-000429 | C RESISTOR | | |
| | UR 16 | 2001-000734 | C RESISTOR | | | | UR 79 | 2001-000429 | C RESISTOR | | |
| | UR 17 | 2001-000734 | C RESISTOR | | | | UR 80 | 2001-000290 | C RESISTOR | | |
| | UR 18 | 2001-000281 | C RESISTOR | | | | UR 81 | 2001-000290 | C RESISTOR | | |
| | UR 19 | 2001-000429 | C RESISTOR | | | | UR 82 | 2001-000429 | C RESISTOR | | |
| | UR 20 | 2001-000290 | C RESISTOR | | | | UR 83 | 2001-000273 | C RESISTOR | | |
| | UR 21 | 2001-000290 | C RESISTOR | | | | UR 84 | 2001-000977 | C RESISTOR | | |
| | UR 22 | 2001-000290 | C RESISTOR | | | | UR 85 | 2001-000411 | C RESISTOR | | |
| | UR 23 | 2001-000290 | C RESISTOR | | | | UR 86 | 2001-000786 | C RESISTOR | | |
| | UR 24 | 2001-000281 | C RESISTOR | | | | UR 87 | 2001-000290 | C RESISTOR | | |
| | UR 25 | 2001-000429 | C RESISTOR | | | | UR 88 | 2001-000613 | C RESISTOR | | |
| | UR 26 | 2001-000429 | C RESISTOR | | | | UR 89 | 2001-000613 | C RESISTOR | | |
| | UR 27 | 2001-000429 | C RESISTOR | | | | UR 90 | 2001-000613 | C RESISTOR | | |
| | UR 28 | 2001-000429 | C RESISTOR | | | | UR 91 | 2001-001178 | C RESISTOR | | |
| | UR 29 | 2001-000429 | C RESISTOR | | | | UR 92 | 2001-001178 | C RESISTOR | | |
| | UR 30 | 2001-000429 | C RESISTOR | | | | UR 93 | 2001-000449 | C RESISTOR | | |
| | UR 31 | 2001-000591 | C RESISTOR | | | | UR 94 | 2001-000591 | C RESISTOR | | |
| | UR 32 | 2001-000429 | C RESISTOR | | | | UR 95 | 2001-000290 | C RESISTOR | | |
| | UR 33 | 2001-000429 | C RESISTOR | | | | UR 95 | 2001-000734 | C RESISTOR | | |
| | UR 34 | 2001-000429 | C RESISTOR | | | | UR 96 | 2001-000977 | C RESISTOR | | |
| | UR 35 | 2001-000429 | C RESISTOR | | | | UR 97 | 2001-000411 | C RESISTOR | | |
| | UR 36 | 2001-000429 | C RESISTOR | | | | UR 99 | 2001-000522 | C RESISTOR | | |
| | UR 37 | 2001-000429 | C RESISTOR | | | | UR100 | 2001-000411 | C RESISTOR | | |
| | UR 38 | 2001-000290 | C RESISTOR | | | | UR101 | 2001-000977 | C RESISTOR | | |
| | UR 39 | 2001-000290 | C RESISTOR | | | | UR102 | 2001-000734 | C RESISTOR | | |
| | UR 40 | 2001-000290 | C RESISTOR | | | | UR103 | 2001-000786 | C RESISTOR | | |
| | UR 41 | 2001-000290 | C RESISTOR | | | | UR201 | 2001-000273 | C RESISTOR | | |
| | UR 42 | 2001-000281 | C RESISTOR | | | | UR401 | 2001-000290 | C RESISTOR | | |
| | UR 43 | 2001-000281 | C RESISTOR | | | | UR402 | 2001-000290 | C RESISTOR | | |
| | UR 44 | 2001-000281 | C RESISTOR | | | | UVR 1 | 3406-001047 | ROTARY SWITCH | | |
| | UR 45 | 2001-000281 | C RESISTOR | | | | UVR 2 | 2103-000492 | SEMI F.VR. | | |
| | UR 46 | 2001-000734 | C RESISTOR | | | | UX 1 | 2802-000181 | CERAMIC RESONAT | | |
| | UR 47 | 2001-000449 | C RESISTOR | | | | UX 2 | 2801-001394 | CRYSTAL-UNIT | 32.768KHZ | |
| | UR 48 | 2001-000591 | C RESISTOR | | | | UXR 1 | 2001-000850 | C RESISTOR | | |
| | UR 49 | 2001-000449 | C RESISTOR | | | | UXR 2 | 2001-000295 | C RESISTOR | | |
| | UR 50 | 2001-000258 | C RESISTOR | | | | UXR 3 | 2001-000454 | C RESISTOR | | |
| | UR 51 | 2001-001178 | C RESISTOR | | | | VFD | AH07-00016A | VF-DISPLAY | | |
| | UR 52 | 2001-000241 | C RESISTOR | | | | | | | | |
| | UR 53 | 2001-000429 | C RESISTOR | | | | | | | | |
| | UR 54 | 2001-000734 | C RESISTOR | | | | | | | | |
| | UR 55 | 2001-000591 | C RESISTOR | | | | | | | | |
| | UR 56 | 2001-000508 | C RESISTOR | | | | | | | | |
| | UR 57 | 2001-000793 | C RESISTOR | | | | | | | | |
| | UR 58 | 2001-000429 | C RESISTOR | | | | | | | | |
| | UR 59 | 2001-000241 | C RESISTOR | | | | | | | | |
| | UR 60 | 2001-000258 | C RESISTOR | | | | | | | | |

■ Electrical parts list(Front board)

Block No. 03

| △ | Item | Parts number | Parts name | Remarks | Area | △ | Item | Parts number | Parts name | Remarks | Area |
|---|-------|--------------|-----------------|-----------|------|---|-------|--------------|---------------|------------|------|
| | IC024 | 1204-001532 | IC | TZA1024T | | | NC110 | 2203-000206 | C CAPACITOR | | |
| | IC073 | 1003-001192 | IC | TDA7073AT | | | NC111 | 2203-000260 | C CAPASITOR | | |
| | IC082 | 1003-001162 | IC-MOTOR DRIVER | KA3082 | | | NC114 | 2401-000243 | E CAPACITOR | | |
| | IC327 | 0904-001353 | IC | 7327 | | | NC115 | 2203-000206 | C CAPACITOR | | |
| | IC805 | AC14-12001G | IC | KA78L05 | | | NC116 | 2401-000243 | E CAPACITOR | | |
| | JR101 | 2007-000029 | CHIP RESISTOR | | | | NC201 | 2203-001537 | C CAPACITOR | | |
| | JR102 | 2007-000029 | CHIP RESISTOR | | | | NC202 | 2203-001524 | C CAPASITOR | | |
| | JR103 | 2007-000033 | CHIP RESISTOR | | | | NC203 | 2203-000477 | C CAPACITOR | | |
| | JR104 | 2007-000029 | CHIP RESISTOR | | | | NC204 | 2203-000609 | C CAPASITOR | | |
| | JR105 | 2007-000029 | CHIP RESISTOR | | | | NC205 | 2203-000206 | C CAPACITOR | | |
| | JR106 | 2007-000029 | CHIP RESISTOR | | | | NC206 | 2401-000243 | E CAPACITOR | | |
| | JR107 | 2007-000029 | CHIP RESISTOR | | | | NC207 | 2203-000206 | C CAPACITOR | | |
| | JR109 | 2007-000029 | CHIP RESISTOR | | | | NC208 | 2401-000243 | E CAPACITOR | | |
| | JR110 | 2007-000029 | CHIP RESISTOR | | | | NC209 | 2401-000243 | E CAPACITOR | | |
| | JR201 | 2007-000029 | CHIP RESISTOR | | | | NC210 | 2203-000575 | C CAPACITOR | | |
| | JR202 | 2007-000029 | CHIP RESISTOR | | | | NC211 | 2203-000260 | C CAPASITOR | | |
| | JR203 | 2007-000033 | CHIP RESISTOR | | | | NC212 | 2203-000260 | C CAPASITOR | | |
| | JR204 | 2007-000029 | CHIP RESISTOR | | | | NC213 | 2203-000260 | C CAPASITOR | | |
| | JR205 | 2007-000029 | CHIP RESISTOR | | | | NC214 | 2203-000260 | C CAPASITOR | | |
| | JR206 | 2007-000033 | CHIP RESISTOR | | | | NC215 | 2203-000787 | C CAPACITOR | | |
| | JR207 | 2007-000033 | CHIP RESISTOR | | | | NC216 | 2203-000787 | C CAPACITOR | | |
| | JR209 | 2007-000029 | CHIP RESISTOR | | | | NC217 | 2203-000206 | C CAPACITOR | | |
| | JR212 | 2007-000033 | CHIP RESISTOR | | | | NC218 | 2203-000206 | C CAPACITOR | | |
| | JR301 | 2007-000033 | CHIP RESISTOR | | | | NC219 | 2203-000206 | C CAPACITOR | | |
| | JR302 | 2007-000029 | CHIP RESISTOR | | | | NC220 | 2203-000260 | C CAPASITOR | | |
| | JR303 | 2007-000029 | CHIP RESISTOR | | | | NC221 | 2202-000797 | C CAPACITOR | | |
| | JR304 | 2007-000029 | CHIP RESISTOR | | | | NC301 | 2203-000206 | C CAPACITOR | | |
| | JR304 | 2007-000033 | CHIP RESISTOR | | | | NC301 | 2401-000243 | E CAPACITOR | | |
| | JR305 | 2007-000029 | CHIP RESISTOR | | | | NC303 | 2401-001511 | E CAPACITOR | | |
| | JR306 | 2007-000029 | CHIP RESISTOR | | | | NC304 | 2401-001502 | E CAPACITOR | | |
| | JR307 | 2007-000033 | CHIP RESISTOR | | | | NC305 | 2203-000206 | C CAPACITOR | | |
| | JR308 | 2007-000029 | CHIP RESISTOR | | | | NC306 | 2203-000206 | C CAPACITOR | | |
| | JR309 | 2007-000033 | CHIP RESISTOR | | | | NC307 | 2203-000802 | C CAPACITOR | | |
| | JR310 | 2007-000029 | CHIP RESISTOR | | | | NC308 | 2203-000802 | C CAPACITOR | | |
| | JR311 | 2007-000033 | CHIP RESISTOR | | | | NC309 | 2203-000802 | C CAPACITOR | | |
| | JR312 | 2007-000033 | CHIP RESISTOR | | | | NC310 | 2203-000260 | C CAPASITOR | | |
| | JR313 | 2007-000033 | CHIP RESISTOR | | | | NC311 | 2401-001511 | E CAPACITOR | | |
| | JR314 | 2007-000033 | CHIP RESISTOR | | | | NC312 | 2401-000243 | E CAPACITOR | | |
| | JR401 | 2007-000033 | CHIP RESISTOR | | | | NC313 | 2203-000206 | C CAPACITOR | | |
| | JR402 | 2007-000033 | CHIP RESISTOR | | | | NC314 | 2203-000260 | C CAPASITOR | | |
| | JR403 | 2007-000029 | CHIP RESISTOR | | | | NC401 | 2401-000243 | E CAPACITOR | | |
| | JR404 | 2007-000029 | CHIP RESISTOR | | | | NC402 | 2401-001364 | E CAPACITOR | | |
| | JR405 | 2007-000033 | CHIP RESISTOR | | | | NC403 | 2401-000243 | E CAPACITOR | | |
| | JR406 | 2007-000029 | CHIP RESISTOR | | | | NDZ 1 | 0403-000341 | ZENER DIODE | | |
| | JR407 | 2007-000033 | CHIP RESISTOR | | | | NDZ40 | 0403-000352 | ZENER DIODE | | |
| | JW202 | 2007-000029 | CHIP RESISTOR | | | | NDZ40 | 0403-000361 | ZENER DIODE | | |
| | MONO | 3811-000122 | WIRE-PVC CU | | | | NL 2 | 2007-000033 | CHIP RESISTOR | | |
| | NCW 1 | AH39-00061A | LEAD CONNECTOR- | | | | NL401 | 2001-000458 | C RESISTOR | | |
| | NCW 2 | AH39-00060A | LEAD CONNECTOR | | | | NQ401 | 0501-000616 | TRANSISTOR | KSC2328A-Y | |
| | NCW 3 | 3711-003673 | CONNECTOR | | | | NR101 | 2007-000267 | CHIP RESISTOR | | |
| | NCW 5 | AH39-20561P | LEAD CONNECTOR | | | | NR102 | 2007-000267 | CHIP RESISTOR | | |
| | NCW 6 | 3708-001131 | CONNECTOR | | | | NR104 | 2007-000267 | CHIP RESISTOR | | |
| | NCW 7 | 3711-003379 | CONNECTOR | | | | NR105 | 2007-000355 | CHIP RESISTOR | | |
| | NCW 8 | 3708-001252 | CONNECTOR | | | | NR106 | 2007-000355 | CHIP RESISTOR | | |
| | NC101 | 2203-000206 | C CAPACITOR | | | | NR107 | 2007-000355 | CHIP RESISTOR | | |
| | NC102 | 2203-000595 | C CAPACITOR | | | | NR108 | 2007-000355 | CHIP RESISTOR | | |
| | NC103 | 2203-000595 | C CAPACITOR | | | | NR109 | 2007-000586 | CHIP RESISTOR | | |
| | NC104 | 2203-000595 | C CAPACITOR | | | | NR110 | 2007-000586 | CHIP RESISTOR | | |
| | NC105 | 2203-000595 | C CAPACITOR | | | | NR111 | 2007-000468 | CHIP RESISTOR | | |
| | NC106 | 2203-000787 | C CAPACITOR | | | | NR112 | 2007-000468 | CHIP RESISTOR | | |
| | NC107 | 2203-000787 | C CAPACITOR | | | | NR113 | 2007-001216 | CHIP RESISTOR | | |
| | NC108 | 2401-000243 | E CAPACITOR | | | | NR114 | 2007-000941 | CHIP RESISTOR | | |
| | NC109 | 2203-000206 | C CAPACITOR | | | | NR115 | 2007-000300 | CHIP RESISTOR | | |

■ Electrical parts list(CD serve board)

Block No. 03

| △ | Item | Parts number | Parts name | Remarks | Area |
|---|-------|--------------|---------------|---------|------|
| | NR116 | 2007-000502 | CHIP RESISTOR | | |
| | NR201 | 2007-000468 | CHIP RESISTOR | | |
| | NR202 | 2007-000586 | CHIP RESISTOR | | |
| | NR203 | 2007-000735 | CHIP RESISTOR | | |
| | NR204 | 2007-000502 | CHIP RESISTOR | | |
| | NR206 | 2007-000502 | CHIP RESISTOR | | |
| | NR207 | 2007-000981 | CHIP RESISTOR | | |
| | NR208 | 2007-000267 | CHIP RESISTOR | | |
| | NR209 | 2007-000872 | CHIP RESISTOR | | |
| | NR210 | 2001-000331 | C RESISTOR | | |
| | NR211 | 2001-000331 | C RESISTOR | | |
| | NR217 | 2001-000522 | C RESISTOR | | |
| | NR218 | 2001-000522 | C RESISTOR | | |
| | NR219 | 2001-000522 | C RESISTOR | | |
| | NR220 | 2007-000941 | CHIP RESISTOR | | |
| | NR221 | 2001-000458 | C RESISTOR | | |
| | NR301 | 2007-000468 | CHIP RESISTOR | | |
| | NR302 | 2007-000468 | CHIP RESISTOR | | |
| | NR303 | 2001-000456 | C RESISTOR | | |
| | NR304 | 2001-000456 | C RESISTOR | | |
| | NR305 | 2007-000355 | CHIP RESISTOR | | |
| | NR306 | 2007-001201 | CHIP RESISTOR | | |
| | NR307 | 2007-000355 | CHIP RESISTOR | | |
| | NR308 | 2007-001201 | CHIP RESISTOR | | |
| | NR309 | 2007-000221 | CHIP RESISTOR | | |
| | NR310 | 2007-000572 | CHIP RESISTOR | | |
| | NR311 | 2007-000572 | CHIP RESISTOR | | |
| | NR312 | 2007-000468 | CHIP RESISTOR | | |
| | NR313 | 2007-000468 | CHIP RESISTOR | | |
| | NR314 | 2007-000872 | CHIP RESISTOR | | |
| | NR320 | 2007-000241 | CHIP RESISTOR | | |
| | NR401 | 2007-001216 | CHIP RESISTOR | | |
| | SCW 1 | 3708-001438 | CONNECTOR | | |
| | WIRE | 3811-000122 | WIRE | | |

■ Electrical parts list(Mic/Headphon board)

Block No. 04

| △ | Item | Parts number | Parts name | Remarks | Area |
|---|-------|--------------|----------------|---------|------|
| | HC 1 | 2202-000854 | C CAPACITOR | | |
| | HC 2 | 2202-000854 | C CAPACITOR | | |
| | HC 3 | 2202-000263 | C CAPACITOR | | |
| | HC 4 | 2202-000263 | C CAPACITOR | | |
| | HCW 1 | 3711-001009 | CONNECTOR | | |
| | HJACK | 3722-000351 | PHONE JACK | | |
| | HL 1 | 2701-000114 | INDUCTOR-AXIAL | | |
| | HL 2 | 2701-000114 | INDUCTOR-AXIAL | | |
| | HR 1 | 2001-001178 | C RESISTOR | | |
| | HR 2 | 2001-001178 | C RESISTOR | | |
| | MC 1 | 2202-000854 | C CAPACITOR | | |
| | MC 1 | 2202-000854 | C CAPACITOR | | |
| | MCW 1 | 3711-003111 | CONNECTOR | | |
| | MCW 1 | 3711-003111 | CONNECTOR | | |
| | MJACK | 3722-000363 | JACK PHONE | | |
| | MJACK | 3722-000363 | JACK PHONE | | |
| | MR 1 | 2001-000977 | C RESISTOR | | |
| | MR 1 | 2001-000977 | C RESISTOR | | |
| | MVR 1 | 2101-001068 | V RESISTOR | | |
| | MVR 1 | 2101-001068 | V RESISTOR | | |

■ Electrical parts list(Tuner board)

Block No. 05

| △ | Item | Parts number | Parts name | Remarks | Area | △ | Item | Parts number | Parts name | Remarks | Area |
|---|-------|---------------|----------------|-----------------|------|---|-------|--------------|---------------|----------------|------|
| | FM PA | AH40-10025N | TUNER FM | | | | TJW10 | 2007-000029 | CHIP RESISTOR | | |
| | HIC 1 | AH14-10007G | IC | | | | TJW41 | 2007-000029 | CHIP RESISTOR | | |
| | MW AN | AH27-00013A | OSC COIL | LKS75M00-0060LM | | | TJW42 | 2007-000029 | CHIP RESISTOR | | |
| | MW OS | AH27-00008A | OSC COIL | LKS75M00-0060LM | | | TJW43 | 2007-000029 | CHIP RESISTOR | | |
| | TC 1 | 2203-000609 | C CAPASITOR | | | | TJW44 | 2007-000029 | CHIP RESISTOR | | |
| | TC 2 | 2203-001517 | C CAPASITOR | | | | TJW45 | 2007-000029 | CHIP RESISTOR | | |
| | TC 3 | 2203-000260 | C CAPASITOR | | | | TJW46 | 2007-000029 | CHIP RESISTOR | | |
| | TC 4 | 2401-001975 | E CAPACITOR | | | | TL 2 | AH26-10001E | IFT | | |
| | TC 5 | 2203-000609 | C CAPASITOR | | | | TL 3 | AH26-10020A | TRANS DET | | |
| | TC 6 | 2203-000979 | C CAPASITOR | | | | TLPF1 | AH26-00005A | IFT | LKS75M00-X0002 | |
| | TC 7 | 2203-000429 | C CAPASITOR | | | | TLPF2 | AH26-00005A | IFT | LKS75M00-X0002 | |
| | TC 9 | 2401-001975 | E CAPACITOR | | | | TQ 1 | 0501-000398 | TRANSISTOR | KSC945 | |
| | TC 10 | 2203-000979 | C CAPASITOR | | | | TQ 2 | 0501-000392 | TRANSISTOR | KSC838-O | |
| | TC 11 | 2401-001912 | E CAPACITOR | | | | TQ 3 | 0501-000392 | TRANSISTOR | KSC838-O | |
| | TC 12 | 2401-000419 | E CAPACITOR | | | | TQ 4 | 0501-000294 | TRANSISTOR | | |
| | TC 13 | 2203-000979 | C CAPASITOR | | | | TR 1 | 2001-000331 | C RESISTOR | | |
| | TC 14 | 2201-000565 | C CAPACITOR | | | | TR 2 | 2007-000029 | CHIP RESISTOR | | |
| | TC 15 | 2203-000979 | C CAPASITOR | | | | TR 3 | 2001-000449 | C RESISTOR | | |
| | TC 16 | 2401-001954 | E CAPACITOR | | | | TR 4 | 2007-000872 | CHIP RESISTOR | | |
| | TC 17 | 2401-001912 | E CAPACITOR | | | | TR 5 | 2001-000281 | C RESISTOR | | |
| | TC 18 | 2401-001968 | E CAPACITOR | | | | TR 6 | 2007-000030 | CHIP RESISTOR | | |
| | TC 19 | 2401-001912 | E CAPACITOR | | | | TR 7 | 2007-000518 | CHIP RESISTOR | | |
| | TC 21 | 2401-000240 | E CAPACITOR | | | | TR 8 | 2007-000822 | CHIP RESISTOR | | |
| | TC 23 | 2401-001954 | E CAPACITOR | | | | TR 9 | 2007-000468 | CHIP RESISTOR | | |
| | TC 25 | 2401-001954 | E CAPACITOR | | | | TR 10 | 2007-000308 | CHIP RESISTOR | | |
| | TC 26 | 2401-000419 | E CAPACITOR | | | | TR 11 | 2007-000572 | CHIP RESISTOR | | |
| | TC 27 | 2401-000419 | E CAPACITOR | | | | TR 12 | 2007-000686 | CHIP RESISTOR | | |
| | TC 28 | 2203-000260 | C CAPASITOR | | | | TR 13 | 2001-000515 | C RESISTOR | | |
| | TC 29 | 2203-000260 | C CAPASITOR | | | | TR 15 | 2007-000586 | CHIP RESISTOR | | |
| | TC 30 | 2401-000419 | E CAPACITOR | | | | TR 16 | 2001-000745 | C RESISTOR | | |
| | TC 32 | 2203-001132 | C CAPASITOR | | | | TR 17 | 2007-000981 | CHIP RESISTOR | | |
| | TC 33 | 2203-000844 | C CAPASITOR | | | | TR 18 | 2001-000449 | C RESISTOR | | |
| | TC 34 | 2401-000907 | E CAPACITOR | | | | TR 19 | 2007-000282 | CHIP RESISTOR | | |
| | TC 35 | 2203-000979 | C CAPASITOR | | | | TR 20 | 2007-000409 | CHIP RESISTOR | | |
| | TC 37 | 2401-001022 | E CAPACITOR | | | | TR 21 | 2007-000300 | CHIP RESISTOR | | |
| | TC 38 | 2401-001164 | E CAPACITOR | | | | TR 22 | 2007-000300 | CHIP RESISTOR | | |
| | TC 39 | 2201-000565 | C CAPACITOR | | | | TR 23 | 2007-000710 | CHIP RESISTOR | | |
| | TC 40 | 2202-000796 | C CAPACITOR | | | | TR 24 | 2007-000290 | CHIP RESISTOR | | |
| | TC 41 | 2203-000239 | C CAPASITOR | | | | TR 25 | 2007-001043 | CHIP RESISTOR | | |
| | TC 42 | 2202-000796 | C CAPACITOR | | | | TR 27 | 2007-001071 | CHIP RESISTOR | | |
| | TC 43 | 2401-001968 | E CAPACITOR | | | | TR 28 | 2007-000457 | CHIP RESISTOR | | |
| | TC 44 | 2203-000260 | C CAPASITOR | | | | TR 29 | 2007-000686 | CHIP RESISTOR | | |
| | TC 45 | 2203-000979 | C CAPASITOR | | | | TR 30 | 2001-000117 | C RESISTOR | | |
| | TC 46 | 2401-000240 | E CAPACITOR | | | | TR 32 | 2001-000241 | C RESISTOR | | |
| | TC 47 | 2401-001895 | E CAPACITOR | | | | TR 34 | 2001-000241 | C RESISTOR | | |
| | TC 48 | 2202-000807 | C CAPASITOR | | | | TR 35 | 2007-000493 | CHIP RESISTOR | | |
| | TC 50 | 2203-001611 | C CAPASITOR | | | | TR 36 | 2007-000493 | CHIP RESISTOR | | |
| | TC 51 | 2203-001611 | C CAPASITOR | | | | TR 37 | 2007-000830 | CHIP RESISTOR | | |
| | TC 61 | 2203-001105 | C CAPASITOR | | | | TR 38 | 2007-001177 | CHIP RESISTOR | | |
| | TC 62 | 2203-001105 | C CAPASITOR | | | | TR 39 | 2001-000290 | C RESISTOR | | |
| | TC 63 | 2203-001551 | C CAPASITOR | | | | TR 40 | 2007-000493 | CHIP RESISTOR | | |
| | TC 64 | 2203-001551 | C CAPASITOR | | | | TR 40 | 2001-000522 | C RESISTOR | | |
| | TC 99 | 2203-000609 | C CAPASITOR | | | | TR 41 | 2001-000522 | C RESISTOR | | |
| | TD 3 | 0401-000101 | DIODE | | | | TR 42 | 2001-000734 | C RESISTOR | | |
| | TD 4 | 0401-000101 | DIODE | | | | TR 43 | 2007-000290 | CHIP RESISTOR | | |
| | TD 5 | 0401-000101 | DIODE | | | | TR 44 | 2001-000118 | C RESISTOR | | |
| | TD 6 | 0401-000101 | DIODE | | | | TR 44 | 2007-001177 | CHIP RESISTOR | | |
| | TFL 1 | 2903-000119 | CERAMIC FILTER | SFE10.7MJA-10-A | | | TR 45 | 2007-000282 | CHIP RESISTOR | | |
| | TFL 2 | 2903-000105 | CERAMIC FILTER | | | | TR 46 | 2007-000300 | CHIP RESISTOR | | |
| | TFL 4 | 14529-304-610 | CERAMIC FILTER | AHCM2-450BL | | | TR 47 | 2007-000282 | CHIP RESISTOR | | |
| | TIC 1 | AH14-10008B | IC | | | | TR 48 | 2007-000300 | CHIP RESISTOR | | |
| | TJ 1 | 3716-001156 | TERMINAL BLOCK | | | | TR 49 | 2007-000282 | CHIP RESISTOR | | |
| | TJ 2 | 3711-000814 | CONNECTOR | | | | TR 50 | 2007-000300 | CHIP RESISTOR | | |

■ Electrical parts list(Tuner board)

Block No. 05

| △ | Item | Parts number | Parts name | Remarks | Area |
|---|-------|--------------|----------------|---------|------|
| | TR 51 | 2007-000872 | CHIP RESISTOR | | |
| | TR 52 | 2007-000468 | CHIP RESISTOR | | |
| | TR 53 | 2007-000300 | CHIP RESISTOR | | |
| | TR 54 | 2007-000300 | CHIP RESISTOR | | |
| | TR 55 | 2001-000429 | C RESISTOR | | |
| | TR 56 | 2007-000300 | CHIP RESISTOR | | |
| | TR 57 | 2001-000290 | C RESISTOR | | |
| | TR 58 | 2001-000273 | C RESISTOR | | |
| | TR 61 | 2001-000591 | C RESISTOR | | |
| | TR 62 | 2001-000591 | C RESISTOR | | |
| | TR101 | 2007-000033 | CHIP RESISTOR | | |
| | TR102 | 2007-000033 | CHIP RESISTOR | | |
| | TR103 | 2007-000033 | CHIP RESISTOR | | |
| | TR104 | 2007-000033 | CHIP RESISTOR | | |
| | TR105 | 2007-000586 | CHIP RESISTOR | | |
| | TSR 1 | 2103-000290 | SEMI F.VR | | |
| | TUNER | 2202-000263 | C CAPACITOR | | |
| | TWA 1 | 3711-000666 | CONNECTOR-HEAD | | |
| | TX 1 | 2801-000734 | CRYSTAL UNIT | | |
| | TZD 1 | 0403-000367 | ZENER DIODE | | |
| | TZD 2 | 0403-000393 | ZENER DIODE | | |
| | VVC 1 | 0405-000137 | VARACTOR DIODE | | |

■ Electrical parts list(VCD board)

Block No. 06

| △ | Item | Parts number | Parts name | Remarks | Area |
|---|-------|--------------|---------------|---------|------|
| | AAR 1 | 2007-000241 | C RESISTOR | | |
| | AC 1 | 2401-000243 | E CAPACITOR | | |
| | AC 2 | 2203-000206 | C CAPACITOR | | |
| | AC 3 | 2203-000206 | C CAPACITOR | | |
| | AC 4 | 2401-001502 | E CAPACITOR | | |
| | AI 1 | 1002-001124 | IC | | |
| | AL 1 | 2703-000001 | INDUCTOR | 10UH | |
| | ALC 1 | 2404-000367 | TA CAPACITOR | | |
| | ALC 2 | 2203-000323 | C CAPASITOR | | |
| | ALC 3 | 2203-000495 | C CAPACITOR | | |
| | ALC 4 | 2203-001551 | C CAPASITOR | | |
| | ALC 5 | 2404-000190 | TA CAPACITOR | | |
| | ALC 6 | 2203-001537 | C CAPACITOR | | |
| | ALI 1 | 1201-000163 | IC | 4560 | |
| | ALR 1 | 2007-000872 | CHIP RESISTOR | | |
| | ALR 2 | 2007-000241 | C RESISTOR | | |
| | ALR 3 | 2007-000872 | CHIP RESISTOR | | |
| | ALR 4 | 2007-001239 | C RESISTOR | | |
| | ALR 5 | 2007-001239 | C RESISTOR | | |
| | ALR 6 | 2007-001224 | C RESISTOR | | |
| | ALR 7 | 2007-001239 | C RESISTOR | | |
| | ALR 8 | 2007-000872 | CHIP RESISTOR | | |
| | ALR10 | 2007-000282 | CHIP RESISTOR | | |
| | ALR11 | 2007-001239 | C RESISTOR | | |
| | AR 3 | 2007-000029 | CHIP RESISTOR | | |
| | ARC 1 | 2404-000367 | TA CAPACITOR | | |
| | ARC 2 | 2203-001537 | C CAPACITOR | | |
| | ARC 2 | 2203-000323 | C CAPASITOR | | |
| | ARC 3 | 2203-000495 | C CAPACITOR | | |
| | ARC 4 | 2203-001551 | C CAPASITOR | | |
| | ARC 5 | 2404-000190 | TACAPACITOR | | |
| | ARL 1 | 1201-000163 | IC | 4560 | |
| | ARR 2 | 2007-000872 | CHIP RESISTOR | | |
| | ARR 3 | 2007-000872 | CHIP RESISTOR | | |
| | ARR 4 | 2007-001239 | C RESISTOR | | |
| | ARR 5 | 2007-000872 | CHIP RESISTOR | | |
| | ARR 6 | 2007-001224 | C RESISTOR | | |
| | ARR 7 | 2007-001239 | C RESISTOR | | |
| | ARR 8 | 2007-001239 | C RESISTOR | | |
| | ARR10 | 2007-000282 | CHIP RESISTOR | | |
| | ARR11 | 2007-001239 | C RESISTOR | | |
| | BO 2 | 2007-000029 | CHIP RESISTOR | | |
| | BR | 2007-000033 | CHIP RESISTOR | | |
| | BR 1 | 2007-000290 | CHIP RESISTOR | | |
| | BR 2 | 2007-000290 | CHIP RESISTOR | | |
| | C 1 | 2203-000295 | C CAPASITOR | | |
| | C 2 | 2203-000295 | C CAPASITOR | | |
| | C 3 | 2007-000029 | CHIP RESISTOR | | |
| | C 4 | 2203-001611 | C CAPASITOR | | |
| | C 5 | 2203-001611 | C CAPASITOR | | |
| | C 6 | 2203-000260 | C CAPASITOR | | |
| | C 12 | 0801-000305 | IC | | |
| | CC 1 | 2404-000367 | TA CAPACITOR | | |
| | CC 2 | 2203-000206 | C CAPACITOR | | |
| | CC 3 | 2203-000206 | C CAPACITOR | | |
| | CC 4 | 2203-000206 | C CAPACITOR | | |
| | CC 5 | 2401-000243 | E CAPACITOR | | |
| | CC 6 | 2401-000243 | E CAPACITOR | | |
| | CC 7 | 2007-000401 | CHIP RESISTOR | | |
| | CC 11 | 2203-000749 | C CAPACITOR | | |
| | CC 12 | 2203-000749 | C CAPACITOR | | |
| | CC 14 | 2203-000206 | C CAPACITOR | | |
| | CI 1 | 1204-001141 | IC | CL680 | |

■ Electrical parts list(VCD board)

Block No. 06

| △ | Item | Parts number | Parts name | Remarks | Area |
|---|-------|--------------|-----------------|-----------|------|
| | CJ 1 | 2007-000029 | CHIP RESISTOR | | |
| | CJ 2 | 2007-000029 | CHIP RESISTOR | | |
| | CJ 4 | 2007-000029 | CHIP RESISTOR | | |
| | CL 1 | 2007-000033 | CHIP RESISTOR | | |
| | CQ 1 | 0502-000425 | TR-POWER | 2SD2395-F | |
| | CR 1 | 2007-000300 | CHIP RESISTOR | | |
| | CR 2 | 2007-000300 | CHIP RESISTOR | | |
| | CR 3 | 2007-000300 | CHIP RESISTOR | | |
| | CR 4 | 2007-000300 | CHIP RESISTOR | | |
| | CR 5 | 2007-000468 | CHIP RESISTOR | | |
| | CR 6 | 2007-000290 | CHIP RESISTOR | | |
| | CR 7 | 2007-000290 | CHIP RESISTOR | | |
| | CR 8 | 2007-000290 | CHIP RESISTOR | | |
| | CR 9 | 2007-000290 | CHIP RESISTOR | | |
| | CR 10 | 2007-000290 | CHIP RESISTOR | | |
| | CR 11 | 2203-001537 | C CAPACITOR | | |
| | CR 12 | 2007-000468 | CHIP RESISTOR | | |
| | CR 13 | 2007-000290 | CHIP RESISTOR | | |
| | CR 14 | 2007-000290 | CHIP RESISTOR | | |
| | CR 15 | 2007-000290 | CHIP RESISTOR | | |
| | CR 16 | 2007-000290 | CHIP RESISTOR | | |
| | CR 17 | 2007-000493 | CHIP RESISTOR | | |
| | CR 19 | 2007-000300 | CHIP RESISTOR | | |
| | CR 20 | 2007-000477 | CHIP RESISTOR | | |
| | CR 21 | 2007-000300 | CHIP RESISTOR | | |
| | CR 22 | 2007-000300 | CHIP RESISTOR | | |
| | CR 23 | 2007-000300 | CHIP RESISTOR | | |
| | CR 24 | 2007-000300 | CHIP RESISTOR | | |
| | CR 25 | 2007-000300 | CHIP RESISTOR | | |
| | CR 26 | 2007-000300 | CHIP RESISTOR | | |
| | CR 27 | 2007-000300 | CHIP RESISTOR | | |
| | CR 28 | 2007-000572 | CHIP RESISTOR | | |
| | CR 31 | 2007-000572 | CHIP RESISTOR | | |
| | CX 1 | 2801-003348 | CRYSTAL | 27MHZ | |
| | CZD 1 | 0403-000344 | ZENER DIODE | | |
| | DC 1 | 2203-000818 | C CAPACITOR | | |
| | DC 2 | 2203-000818 | C CAPACITOR | | |
| | GR 1 | 2007-000781 | CHIP RESISTOR | | |
| | I 1 | AH14-10004R | IC | M74HCU04 | |
| | L 1 | 2703-000002 | INDUCTOR | 100UH | |
| | LINK | 6002-000398 | SCREW-TAPPING | 3X6 | |
| | LINK | 1203-000276 | IC | 7805 | |
| | MC 1 | 2203-001611 | C CAPASITOR | | |
| | MC 2 | 2203-001611 | C CAPASITOR | | |
| | MC 3 | 2203-000206 | C CAPACITOR | | |
| | MI 1 | AH09-00017B | IC | | |
| | MPJ 1 | 2007-000029 | CHIP RESISTOR | | |
| | MR 1 | 2007-000477 | CHIP RESISTOR | | |
| | MR 2 | 2007-000290 | CHIP RESISTOR | | |
| | MR 3 | 2007-000290 | CHIP RESISTOR | | |
| | MR 4 | 2007-000290 | CHIP RESISTOR | | |
| | MR 5 | 2007-000290 | CHIP RESISTOR | | |
| | MR 6 | 2007-000290 | CHIP RESISTOR | | |
| | MX 1 | 2802-000181 | CERAMIC RESONAT | 6MHZ | |
| | OC 8 | 2203-000206 | C CAPACITOR | | |
| | OC 12 | 2401-002183 | E CAPACITOR | | |
| | OC 13 | 2401-002183 | E CAPACITOR | | |
| | OC 15 | 2401-000243 | E CAPACITOR | | |
| | OP 1 | 2007-000477 | CHIP RESISTOR | | |
| | OQ 2 | 0501-000314 | TR-SMALL SIGNAL | KSA812 | |
| | OQ 3 | 0501-000314 | TR-SMALL SIGNAL | KSA812 | |
| | OR 1 | 2007-000029 | CHIP RESISTOR | | |
| | OR 6 | 2007-000572 | CHIP RESISTOR | | |

| △ | Item | Parts number | Parts name | Remarks | Area |
|---|-------|---------------|-----------------|----------------|------|
| | OR 7 | 2007-000572 | CHIP RESISTOR | | |
| | OR 8 | 2007-000572 | CHIP RESISTOR | | |
| | OR 9 | 2007-000572 | CHIP RESISTOR | | |
| | OR 10 | 2203-000661 | C CAPACITOR | | |
| | OR 11 | 2007-001166 | C RESISTOR | | |
| | OR 12 | 2007-001166 | C RESISTOR | | |
| | PB 1 | 2007-000033 | CHIP RESISTOR | | |
| | PC 1 | 2401-000243 | E CAPACITOR | | |
| | PC 2 | 2203-000206 | C CAPACITOR | | |
| | PC 3 | 2203-000206 | C CAPACITOR | | |
| | PC 4 | 2203-000206 | C CAPACITOR | | |
| | PC 5 | 2203-000206 | C CAPACITOR | | |
| | PCON1 | 3711-003107 | CONNECTOR | | |
| | PCON1 | 1203-000276 | IC | 7805 | |
| | PR 1 | 2007-000290 | CHIP RESISTOR | | |
| | R 1 | 2007-000267 | C RESISTOR | | |
| | R 2 | 2007-000290 | CHIP RESISTOR | | |
| | R 3 | 2007-000267 | C RESISTOR | | |
| | R 4 | 2007-000290 | CHIP RESISTOR | | |
| | R 5 | 2007-000267 | C RESISTOR | | |
| | R 6 | 2007-000290 | CHIP RESISTOR | | |
| | RB 2 | 3301-000325 | CORE-FERRITE BE | | |
| | RC 1 | 2404-000190 | TA CAPACITOR | | |
| | RC 2 | 2203-000206 | C CAPACITOR | | |
| | RC 3 | 2203-000206 | C CAPACITOR | | |
| | RI 1 | AH11-12001A-1 | IC | MBH416256A-35J | |
| | RI 2 | 3704-000472 | SOCKET-IC | | |
| | RI 2 | 1102-001082 | IC | 27C020 EPROM | |
| | RR 1 | 2007-000290 | CHIP RESISTOR | | |
| | RR 1 | 2007-000300 | CHIP RESISTOR | | |
| | RR 2 | 2007-000300 | CHIP RESISTOR | | |
| | RR 2 | 2007-000290 | CHIP RESISTOR | | |
| | RR 3 | 2007-000290 | CHIP RESISTOR | | |
| | RR 5 | 2007-000290 | CHIP RESISTOR | | |
| | RR 7 | 2007-000290 | CHIP RESISTOR | | |
| | RR 8 | 2007-000290 | CHIP RESISTOR | | |
| | RR 9 | 2007-000290 | CHIP RESISTOR | | |
| | RR 10 | 2007-000290 | CHIP RESISTOR | | |
| | RR 11 | 2007-000290 | CHIP RESISTOR | | |
| | RR 12 | 2007-000290 | CHIP RESISTOR | | |
| | RR 13 | 2007-000290 | CHIP RESISTOR | | |
| | RR 14 | 2007-000290 | CHIP RESISTOR | | |
| | RR 15 | 2007-000290 | CHIP RESISTOR | | |
| | SCON3 | 3710-001222 | CONNECTOR-SOCKE | 30P | |
| | SJ 1 | 2007-000029 | CHIP RESISTOR | | |
| | SJ 2 | 2007-000029 | CHIP RESISTOR | | |
| | VB 1 | 2007-000029 | CHIP RESISTOR | | |
| | VJ 1 | 2007-000029 | CHIP RESISTOR | | |
| | VJ 2 | 2007-000029 | CHIP RESISTOR | | |
| | X 1 | 2801-001423 | CRYSTAL | 16.9344MHZ | |
| | ZR 1 | 2007-000931 | C RESISTOR | | |

■ Electrical parts list(VCD power board)

Block No. 07

| △ | Item | Parts number | Parts name | Remarks | Area |
|---|-------|--------------|----------------|-----------|------|
| | FR 1 | 3602-000147 | FUSE CLIP | | |
| | FR 2 | 3602-000147 | FUSE CLIP | | |
| | VBD 1 | 0402-000450 | DIODE-BRIDGE | | |
| | VC 1 | 2201-000565 | C CAPACITOR | | |
| | VC 2 | 2201-000565 | C CAPACITOR | | |
| | VC 3 | 2201-000565 | C CAPACITOR | | |
| | VC 4 | 2201-000565 | C CAPACITOR | | |
| | VC 5 | 2401-001928 | E CAPACITOR | | |
| | VC 6 | 2401-001886 | E CAPACITOR | | |
| | VC 7 | 2401-000303 | E CAPACITOR | | |
| | VC 8 | 2401-001954 | E CAPACITOR | | |
| | VC 9 | 2401-001954 | E CAPACITOR | | |
| | VC 10 | 2201-000368 | C CAPACITOR | | |
| | VC 11 | 2201-000368 | C CAPACITOR | | |
| | VC 12 | 2401-001538 | E CAPACITOR | | |
| | VC 13 | 2303-000312 | M CAPACITOR | | |
| | VC 14 | 2401-001538 | E CAPACITOR | | |
| | VC 15 | 2303-000312 | M CAPACITOR | | |
| | VC 16 | 2401-001968 | E CAPACITOR | | |
| | VCW 1 | 3711-000898 | CONNECTOR-HEAD | | |
| | VCW 2 | 3711-000666 | CONNECTOR-HEAD | | |
| | VD 1 | 0401-000101 | DIODE | 1N4148 | |
| | VD 2 | 0401-000101 | DIODE | 1N4148 | |
| | VD 3 | 0401-000101 | DIODE | 1N4148 | |
| | VD 4 | 0401-000101 | DIODE | 1N4148 | |
| | VD 5 | 0401-000101 | DIODE | 1N4148 | |
| | VD 6 | 0401-000101 | DIODE | 1N4148 | |
| | VD 7 | 0401-000101 | DIODE | 1N4148 | |
| | VF 1 | 3601-000207 | FUSE CARTRIDGE | | |
| | VF 2 | 3601-000207 | FUSE CARTRIDGE | | |
| | VF 2 | 3602-000147 | FUSE CLIP | | |
| | VJACK | AH37-00005A | RCA JACK | | |
| | VJACK | 3722-000379 | RCA JACK | | |
| | VL 1 | AH27-10001F | CHOKE COIL | 27UH | |
| | VL 2 | AH27-10001F | CHOKE COIL | 27UH | |
| | VPC 1 | 2201-000565 | C CAPACITOR | | |
| | VPC 2 | 2201-000565 | C CAPACITOR | | |
| | VPC 3 | 2201-000565 | C CAPACITOR | | |
| | VPC 4 | 2201-000565 | C CAPACITOR | | |
| | VQ 1 | 0501-000407 | TRANSISTOR | KSD471A-Y | |
| | VQ 2 | 0501-000294 | TRANSISTOR | KSA708-Y | |
| | VQ 3 | 0503-001014 | TRANSISTOR | 2SD2495-P | |
| | VQ 4 | 0504-001003 | TRANSISTOR | KSR2003 | |
| | VQ 5 | 0501-000407 | TRANSISTOR | KSD471A-Y | |
| | VQ 6 | 0501-000407 | TRANSISTOR | KSD471A-Y | |
| | VQ 7 | 0501-000294 | TRANSISTOR | KSA708-Y | |
| | VQ 8 | 0502-000425 | TRANSISTOR | 2SD2395-F | |
| | VQ 8 | 0501-000398 | TRANSISTOR | KSC945 | |
| | VR 1 | 2001-000786 | C RESISTOR | | |
| | VR 2 | 2001-000786 | C RESISTOR | | |
| | VR 3 | 2001-000429 | C RESISTOR | | |
| | VR 4 | 2001-000429 | C RESISTOR | | |
| | VR 5 | 2001-000429 | C RESISTOR | | |
| | VR 6 | 2001-000429 | C RESISTOR | | |
| | VR 7 | 2001-000734 | C RESISTOR | | |
| | VR 8 | 2001-000734 | C RESISTOR | | |
| | VR 9 | 2001-000522 | C RESISTOR | | |
| | VR 10 | 2001-000008 | C RESISTOR | | |
| | VR 11 | 2001-000042 | C RESISTOR | | |
| | VR 12 | 2001-000522 | C RESISTOR | | |
| | VR 13 | 2001-000734 | C RESISTOR | | |
| | VR 14 | 2001-000522 | C RESISTOR | | |
| | VR 15 | 2001-000290 | C RESISTOR | | |

| △ | Item | Parts number | Parts name | Remarks | Area |
|---|-------|--------------|--------------|---------|------|
| | VR 16 | 2001-000522 | C RESISTOR | | |
| | VR 17 | 2003-000798 | OMF RESISTOR | | |
| | VR 18 | 2001-001178 | C RESISTOR | | |
| | VR 19 | 2001-000290 | C RESISTOR | | |
| | VR 20 | 2001-000786 | C RESISTOR | | |
| | VR 21 | 2001-000449 | C RESISTOR | | |
| | VSC 1 | 2201-000565 | C CAPACITOR | | |
| | VSC 2 | 2201-000565 | C CAPACITOR | | |
| | VSC 3 | 2201-000565 | C CAPACITOR | | |
| | VSC 4 | 2202-000854 | C CAPACITOR | | |
| | VZD 1 | 0403-000398 | ZENER DIODE | | |
| | VZD 2 | 0403-000399 | ZENER DIODE | | |

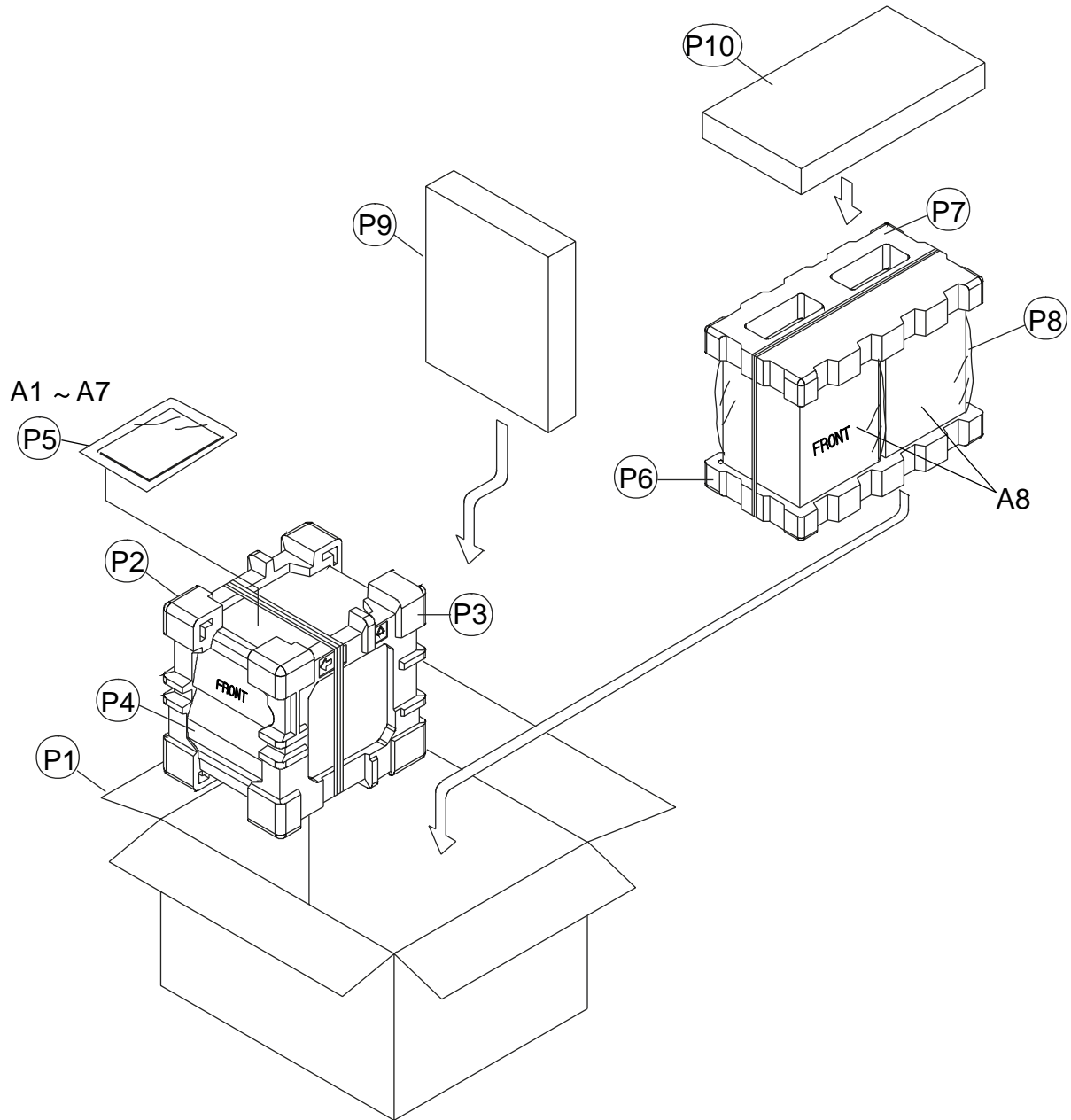
Packing materials and accessories parts list

Block No.

| | | | |
|---|---|---|---|
| M | 5 | M | M |
|---|---|---|---|

Block No.

| | | | |
|---|---|---|---|
| M | 6 | M | M |
|---|---|---|---|



■ Parts list(Packing)

Block No. M5MM

| ⚠ | Item | Parts number | Parts name | Q'ty | Description | Area |
|---|------|---------------|----------------|------|-------------|------|
| | P 1 | AH69-00180D | CARTON | 1 | | |
| | P 2 | AH69-00152A | CUSHION-L | 1 | L | |
| | P 3 | AH69-00153A | CUSHION-R | 1 | R | |
| | P 4 | AH69-30012T | PE-BAG | 1 | | |
| | P 5 | 18654-101-071 | PE-BAG I.B | 1 | | |
| | P 6 | AH81-00243M | BOTTOM CUSHION | 1 | SPEAKER | |
| | P 7 | AH81-00243L | TOP CUSHION | 1 | SPEAKER | |
| | P 8 | AH81-00243P | POLY BAG | 2 | SPEAKER | |
| | P 9 | AH69-00185A | PAD-ROLE A | 1 | | |
| | P 10 | AH69-00185B | PAD-ROLE B | 1 | SPEAKER | |

■ Parts list(Accessories)

Block No. M6MM

| ⚠ | Item | Parts number | Parts name | Q'ty | Description | Area |
|---|------|---------------|-----------------|------|-------------|------|
| | A 1 | AH59-00045A | REMOCON | 1 | | |
| | A 2 | AH42-20001S | LOOP ANT | 1 | | |
| | A 3 | AH38-10001A | FM WIRE ANT | 1 | | |
| | A 4 | ----- | BATTERY | 2 | | |
| | A 5 | AC39-42001L | CABLE RF | 1 | | |
| | A 6 | AH68-00337F | INSTRUCTIONS | 1 | ENG CHI ARA | |
| ⚠ | A 7 | 3721-000117 | CONVERSION PLUG | 1 | | |
| | A 8 | MXJ100K-SPBOX | SPEAKER BOX | 2 | | |